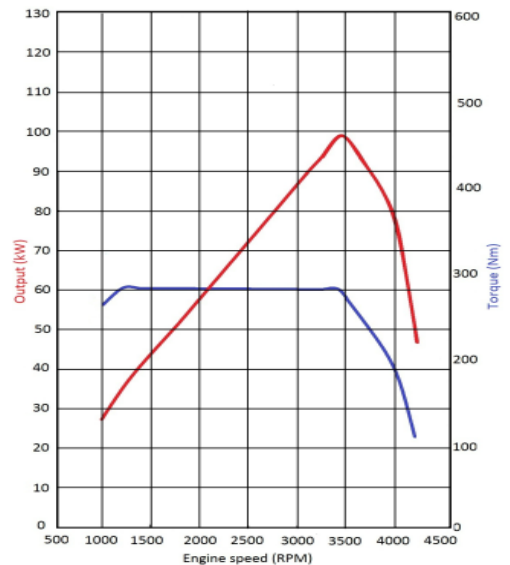


Model	NLR250S Tipper
GCM (kg)	9,000
GVM (kg)	5,500
Max Power (kW)	110
Wheelbase (mm)	2490
Licence **	Class 1



*actual mirrors differ from represented



ENGINE

Engine Model:	4JJ1-TCS
Type:	4 cylinder 16 valve, DOHC
Displacement:	2,999
Compression Ratio:	17.5:1
Max Power (DIN Nett):	110kW (150 HP) @2,800 RPM
Max Torque (DIN Nett):	375 Nm (276 lb.ft) @1,450
Emission Control System:	Euro V with cooled EGR and Diesel Particulate Diffuser
Fuel System:	Electronically controlled direct injection, high pressure common rail 75 litre fuel tank on Short, 100 litres on Medium with lockable fuel cap. Water-in-fuel sensor standard
Air Intake System:	Electronically controlled variable nozzle turbo charger with air-to-air Intercooler, vertical air intake behind cab

PERFORMANCE

- **Maximum Towed Mass (braked):** 3,500kgs - **1st Gear Gradeability @GVM:** M 54%/AMT 55%
- **Maximum Towed Mass (unbraked):** 2,000kgs - **Est Engine RPM @90km/h :** M 2330/AMT 2185

TRANSMISSION

Manual:	MYY5T - 5 spd manual, (Standard) Synchronmesh on 1st to 5th
Ratios (:1)	1st 5.315, 2nd 3.053 3rd 1.655, 4th 1.0, 5th 0.721, Rev 5.701
AMT:	MYY6E 6 spd Automated Manual with full automatic and sequential manual shift modes.
Ratios (:1)	1st 5.979, 2nd 3.434 3rd 1.862, 4th 1.297, 5th 1.000, 6th 0.750, Rev 5.701
PTO:	Provision on LHS of transmission case, countershaft driven.

AXLES

Front Axle:	Isuzu FL026
Type:	Elliot reverse I-beam
Capacity:	2,600kgs
Rear Axle:	Isuzu RO50
Type:	Full floating banjo type housing
Capacity:	5,000kgs
Final Drive:	292mm diameter ring gear
Ratio (:1):	4.556 (man) 4.10 (AMT)

CHASSIS

Front Suspension

- Coil spring - independent
- Double acting shock absorber
- Stabiliser bar

Steering

- Power assisted rack and pinion
- Turns lock-to-lock 4.2

Chassis Frame

- Cold riveted ladder frame
- Rail dimensions (mm) 180 x65 x 4
- SAPH440 weldable steel

Rear Suspension

- Taper leaf spring with helper
- Double acting shock absorbers

Electrical

- 24-volt negative earth system
- 90-amp alternator
- Batteries - 2 x 80D26L 80Ah, 630CCA, connected in series

Brakes

- Auto adjusting front discs, rear drums with hydraulic dual circuit control, vacuum assisted and Electronic Brake Distribution (EDB)
- ABS and ASR (traction control)
- Hill Start Aid (except AMT)
- Front discs 265 x 35
- Rear drum 290mm x 75mm
- 190mm diameter drum park brake on rear of transmission

Wheels and Tyres

- 16.0 x 5.5J x 16.5mm 5-stud steel wheels
- 195/75 R16C 107/105 M tubeless tyres
- Silver painted wheel rims
- Frame mounted spare wheel with tyre

CAB AND INTERIOR

CAB EXTERIOR

- All steel construction, high tensile steel on cab under-frame and side impact beam reinforcement
- Cab is fully compliant with ECE-R29 crash tests
- Manual cab tilt to 45° with torsion bar assistance
- Liquid filled front and rear cab mounts
- Heavy duty non-slip cab entry steps
- 70° opening doors
- Cab mounted main mirrors on front of cab
- Halogen multi-reflector headlamps with integral front turn signals
- Additional door mounted turn signals
- Polycarbonate front bumper with steel frame
- Combined brake/turn/reverse/marker lamps
- Registration plate lamps
- Reverse alarm buzzer standard

CAB INTERIOR

- Contoured adjustable driver's bucket seat with mechanical suspension rated to 130 k
- Passenger bench seat with capacity for two adults
- 3-point seatbelts in all outboard seating positions. Driver and outboard front passenger seatbelts fitted with pretensioner. Centre seat lap belt

CAB INTERIOR (continued)

- Door & pillar entry assist grips both sides
- RH and LH overhead storage shelf
- Height/reach adjustable steering column, soft-feel urethane steering wheel with audio controls
- Electric windows
- Central locking with keyless entry & immobiliser
- Twin cup holders, 24V cigarette lighter
- Integrated air conditioning with 4 speed fan
- Door mounted storage pockets
- Fluorescent interior light
- Spare DIN sized communications compartment
- Multimedia unit with 6.2" LCD touch screen. Android OS. DAB+ digital radio, integrated Bluetooth with voice recognition. Inbuilt media viewer. Internet radio via smartphone. 32GB file storage. USB & auxilliary inputs.
- **OPTIONS:** (full details from your Isuzu dealer) Telematics system. Supports up to five camera inputs. One digital camera, Reversing sensors, tyre pressure monitoring. ADAS (Advanced Driver Assistance System). Wireless phone charger for Qi enabled phones.

INSTRUMENTS and CONTROLS

- Speedometer with digital odometer and two trip meters, tachometer, engine coolant temperature, fuel level gauges
- Two-speed wipers with intermittent wipe mode
- Key operated engine start/stop, steering lock
- HSA slow/fast engagement control with on/off switch (except AMT)
- ASR on/off switch
- DPD manual regenerate switch
- AMT: slow/fast clutch engagement control, 1st gear selection, economy mode
- LH combination stalk: Windscreen wipers, washers and exhaust brake
- RH combination stalk: Indicators, light switch and headlamp dip switch
- Warning lamps: Check engine, oil pressure, ABS, SRS, alternator uncharged, service brake, park brake on, seat belt unbuckled, AMT check
- Indicator lamps – HAS (except AMT), warm up system, high beam, DPD status, 1st gear start, turn signals
- AMT only: Econo mode, 1st gear start, gear selection display

WEIGHTS (kgs)

MODEL CODE	MODELS	RATINGS *		LOADING LIMITS (at ground)*		TARE MASS **		
		GVM	GCM	FRONT	REAR	FRONT	REAR	TOTAL
NL0513	NLR250S Tipper	5500	9000	1950	3700	1535	1110	2645
NL0613	NLR250S AMT Tipper	5500	9000	1950	3700	1535	1110	2645

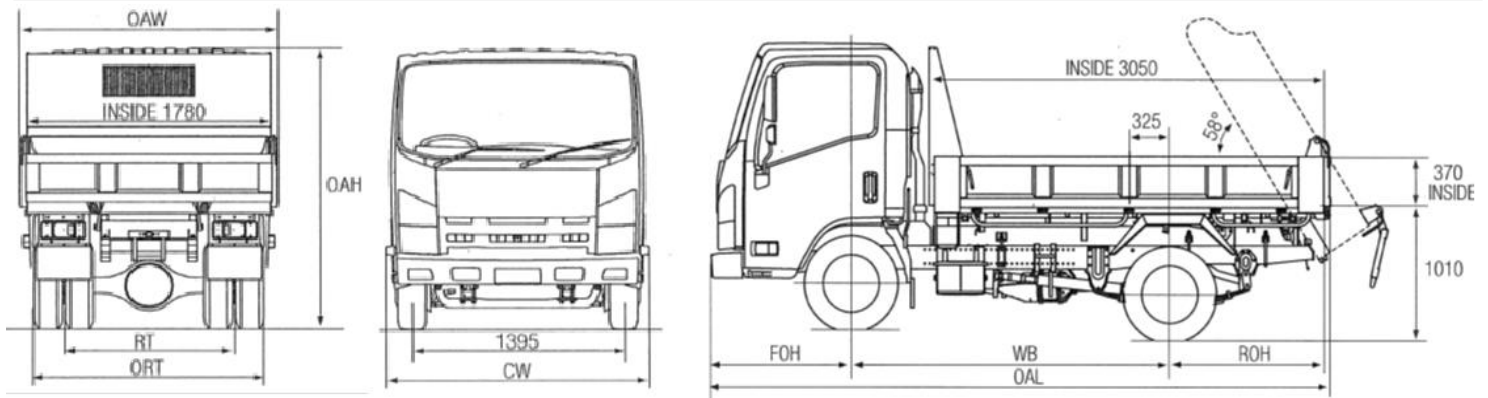
* Vehicle ratings and front and rear mass limits are subject to regulatory requirements – Consult your dealer to select a specific vehicle to suit your requirements

** Chassis cab as supplied from the factory including 10 litres of fuel

DIMENSIONS (mm)

Model	WB	OAL	OAH *	OAW	CW	FOH	ROH	RT	ORT	FW	Kerb to Kerb (m)
NLR250S Tipper	2490	4830	2140	1875	1770	1095	1200	1240	1670	700	8.9

* Unladen condition



WARRANTY

Full vehicle warranty: 36 months or 100,000 kilometres whichever occurs first

All warranty is subject to terms and conditions as detailed in the Owner's Manual Service and Warranty Supplement

to confirm specifications. Images of vehicles are representative only and may differ slightly from the actual vehicle

** Always refer to NZTA to confirm & for Licensing changes.