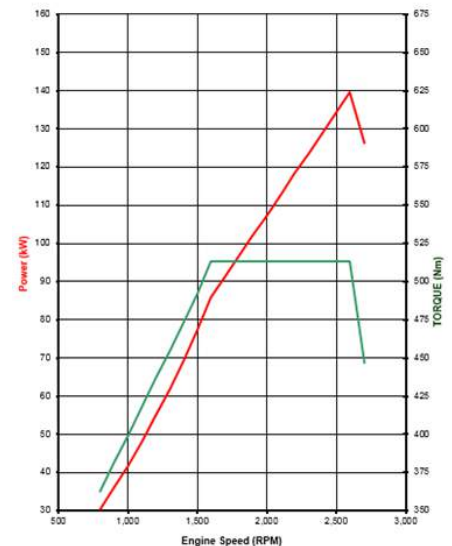


Model	NPR350	NPR325
GVM (kg)	6,500	5,995
GCM (kg)	10,000	10,000
Max Power (kW)	140	140
Wheelbase (mm)	3365	3365
License**	Class 2	Class 1



ENGINE

Engine Model:	ISUZU 4HK1-TCC
Type:	4 cyl 16 valve, SOHC
Displacement:	5,193 cc
Compression Ratio:	16.5:1
Max Power (DIN Nett):	140kW (188HP) @2,600 RPM
Max Torque (DIN Nett):	513 Nm (378 lb.ft) @1,600 – 2600 RPM
Emission Control System:	Euro V with cooled EGR and Diesel Oxidation Catalyst (DOC)
Fuel System:	Direct injection high pressure common rail system 140 litre fuel tank with lockable fuel cap Water-in-fuel sensor standard
Air Intake System:	Electronically controlled variable nozzle turbo charger with air-to-air intercooler, vertical air intake behind cab



PERFORMANCE

- 1st Gear Gradeability @GVM: model NPR325-64% & NPR350-58%, (AMT) NPR325-69% & NPR350-61%
 - Est Engine RPM @90km/h :2070, (AMT) 2170
- Speed Limit - Customisable

TRANSMISSION

Manual:	ISUZU MZZ-6F 6 spd manual, synchromesh on 1 st to 6 th Auto adjusted 325mm diameter single plate clutch, vacuum assisted.
Ratios (:1)	1st 6.369, 2nd 3.767 3rd 1.966, 4th 1.355, 5th 1.000, 6th 0.782, Rev 6.369
AMT (optional)	ISUZU 6-Speed Automated Manual (AMT) full automatic and sequential manual shift modes.
PTO:	Provision on LHS of transmission case, countershaft driven & with wiring harness provided

AXLES

Front Axle:	Isuzu F031
Type:	Elliot reverse I-beam
Capacity:	3,100kgs
Rear Axle:	Isuzu RO66
Type:	Full floating banjo type housing
Capacity:	6,600kgs
Final Drive:	320mm diameter ring gear
Ratio (:1):	3.909 & 4.1 for AMT Transmission

CHASSIS

Front Suspension

- Single stage alloy taper-leaf
- Double acting shock absorber
- Stabiliser bar

Rear Suspension

- multi-leaf Main Spring, taper-leaf helper spring
- Double acting shock absorbers with stabiliser bar

Steering

- Power assisted rack and pinion
- Turns lock-to-lock 5.4
- Gear Ratio 20.9:1
- Maximum angle: 43° (inside wheel) / 33° (outside wheel)

Chassis Frame

- Cold riveted ladder frame & side members, rivet-less top flange
- JSH440 weldable steel
- Rail dimensions (mm) 216 x70 x 6
- Frame width (mm) 850

Brakes

- Auto adjusting front & rear disc with hydraulic dual circuit control, vacuum assisted with Electronic Brake Distribution (EBD)
- ABS and ASR (traction control)
- Hill Start Aid (except AMT)
- Front disc diameter 293 x 40mm
- Rear disc diameter 293 x 40mm
- 203mm diameter drum park brake on rear of transmission

Wheels and Tyres

- 17.5 x 6.0 x 127mm 6-stud steel wheel rims
- 205/75R17.5 124/122M tubeless tyres
- Silver painted wheel rims
- Frame mounted spare wheel

Electrical

- 24 volt negative earth system
- 90-amp alternator
- Batteries - 2 x 80D26L 80Ah, 630CCA, connected in series.

CAB AND INTERIOR

CAB EXTERIOR

- All steel construction, high tensile steel on cab under-frame and side impact beam reinforcement
- Cab is fully compliant with ECE-R29 crash tests
- Manual cab tilt to 45° with torsion bar assistance
- Liquid filled front and rear cab mounts
- Heavy duty non-slip cab entry steps
- 90° opening doors
- Cab mounted main mirrors on front of cab
- Halogen multi-reflector headlamps with integral front turn signals
- Additional door mounted turn signals
- Polycarbonate front bumper with steel frame
- Combined brake/turn/reverse/marker lamps
- Registration plate lamps
- Reverse alarm buzzer standard

CAB INTERIOR

- Contoured adjustable driver's bucket seat with mechanical suspension rated to 130 kg
- 3-point seatbelts in all outboard seating positions. Driver and outboard front passenger seatbelts fitted with pretensioner. Centre seat lap belt
- Air bag for both outer seats.

CAB INTERIOR (continued)

- SRS including air bag for driver and passenger
- Door and pillar entry assist grips both sides
- Lined interior, padded roof lining & vinyl floor covers
- RH and LH overhead storage shelf
- Height/reach adjustable steering column, soft-feel urethane steering wheel with audio controls
- Electric windows
- Central locking with keyless entry & immobiliser
- Twin cup holders, 24V cigarette lighter
- Integrated air conditioning with 4 speed fan
- Door mounted storage pockets
- Fluorescent interior light
- Spare DIN sized communications compartment
- **Multi-Media 6.2inch touch screen LCD (16:9)**
- Android OS Automotive V5.1, Music Box
- Internet radio via Wifi
- SMS: Text to speech feature & Bluetooth 4.0
- **Optional accessories:** (contact your Isuzu dealer for full list & details).
 - Telematics-system.
 - Parking sensors, tyre-pressure monitoring, Sat-Nav, up to 4-cameras, 4-way split screen
 - Advanced Driver Assistance System. (ADAS).

INSTRUMENTS AND CONTROLS

- Speedometer with digital odometer, tachometer, integrated duel trip meter, engine coolant temperature, fuel level gauge.
- Two-speed wipers with intermittent wipe mode
- Key operated engine start/stop, steering lock
- HSA slow/fast engagement control with on/off switch (except AMT), ASR on/off switch
- **AMT:** slow/fast clutch engagement control, 1st gear selection, economy mode
- **LH combination stalk:** Windscreen wipers, washers & exhaust brake
- **RH combination stalk:** Indicators, light switch & headlamp dip switch, cruise control, **(AMT only)**
- **Warning lamps:** Check engine, oil pressure, ABS, SRS, alternator charge, service brake, park brake on, seat belt unbuckled, AMT check
- Indicator lamps – HSA **(except AMT)**, warm-up system, high beam, 1st gear start, turn signals
- **AMT model:** Multi-information display. Shows service interval, instantaneous & average fuel consumption, hour meter, voltmeter, time/day/date & includes 40-120 km/h adjustable vehicle, speed warning.

Tipper body:

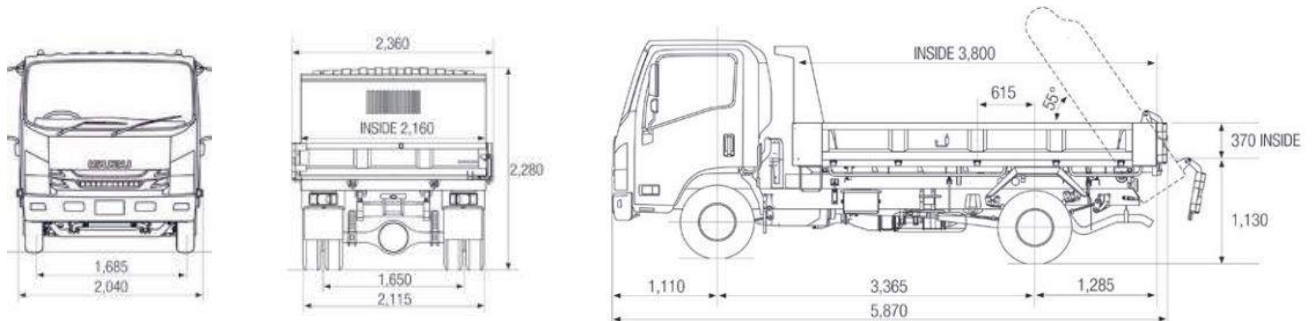
- All-steel body with drop sides, auto release tailgate
- Auto release body lock-down hook
- Shovel rack, rope rails, non-slip side steps
- 20 second lift and lower time
- 3.0m³ bin volume
- Deck plate 3mm thick, all sides 2.3mm thick

Please refer to Owners and Drivers Manual for more detailed operation, driving instruction and warnings

WEIGHTS (kgs)

Model Codes	MODELS	RATINGS *		LOADING LIMITS (at ground)*		CHASSIS CAB TARE MASS **		
		GVM	GCM	FRONT	REAR	FRONT	REAR	TOTAL
NP2718	NPR325 Tipper	5995	9495	3100	6000	1980	1650	3630
NP2318	NPR350 Tipper	6500	10000	3100	6000	1980	1650	3630
NP2818	NPR325 AMT Tipper	5995	9495	3100	6000	1980	1650	3630
NP2918	NPR350 AMT Tipper	6500	10000	3100	6000	1980	1690	3630

* Vehicle ratings and front and rear mass limits are subject to regulatory requirements – Consult your dealer to select a specific vehicle to suit your requirements
 ** Chassis cab as supplied from the factory including 10 litres of fuel



WARRANTY

Full vehicle warranty: 36 months or 100,000 kilometres whichever occurs first
 All warranty is subject to terms and conditions as detailed in the Owner's Manual Service and Warranty Supplement

A policy of continuous improvement means that these specifications are subject to change without notice. Contact your Isuzu dealer or visit our website at Isuzu.co.nz to confirm specifications. Images of vehicles are representative only and may differ slightly from the actual vehicle

** Always refer to NZTA to confirm & for Licensing changes