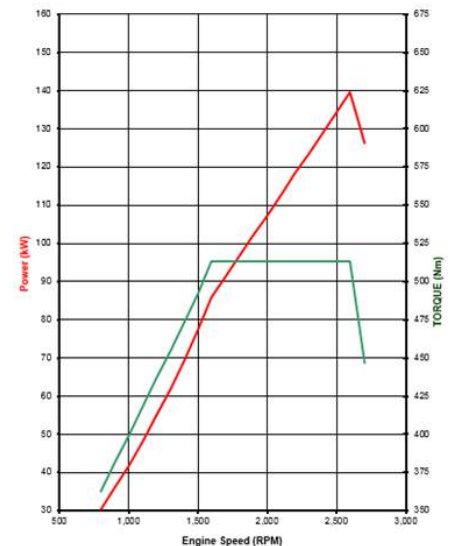




Model	NQR500 Tipper
GVM (kg)	8,700
GCM (kg)	12,200
Max Power (kW)	140
Wheelbase (mm)	3365
License**	Class 2

## ENGINE

Engine Model:	ISUZU 4HK1-TCC
Type:	4 cyl 16 valve, SOHC
Displacement:	5,193 cc
Compression Ratio:	16.5:1
Max Power (DIN Nett):	140kW (188HP) @2,600 RPM
Max Torque (DIN Nett):	513 Nm (378 lb.ft) @1,600 – 2600 RPM
Emission Control System:	Euro V with cooled EGR and Diesel Oxidation Catalyst (DOC)
Fuel System:	Direct injection high pressure common rail system 140 litre fuel tank with lockable fuel cap Water-in-fuel sensor standard
Air Intake System:	Electronically controlled variable nozzle turbo charger with air-to-air intercooler, vertical air intake behind cab



## PERFORMANCE

- 1<sup>st</sup> Gear Gradeability @GVM: model NQR500-44%, (AMT) NQR500-41%
- Est Engine RPM @90km/h :2250, (AMT) 2125
- Speed Limit - Customisable

## TRANSMISSION

<b>Manual:</b>	ISUZU MZZ-6F 6 speed, (Standard) Synchronesh on 1st to 6 <sup>th</sup> Auto adjusted 325mm single plate clutch, vacuum assist
<b>AMT: (optional)</b>	Automated Manual with full automatic and sequential manual shift modes. Full auto hydraulically controlled wet clutch and fluid coupling
<b>Ratios (:1)</b>	1st 6.369, 2nd 3.767 3rd 1.996, 4th 1.333, 5th 1.000, 6 <sup>th</sup> 0.782, Rev 6.369
<b>PTO:</b>	Provision on LHS of transmission case, countershaft driven

## AXLES

<b>Front Axle:</b>	Isuzu F031
<b>Type:</b>	Elliot reverses I-beam
<b>Capacity:</b>	3,100kgs
<b>Rear Axle:</b>	Isuzu RO66
<b>Type:</b>	Full floating banjo type housing
<b>Capacity:</b>	6,600kgs
<b>Final Drive:</b>	320mm diameter ring gear
<b>Ratio (:1):</b>	Man: 4.556 AMT: 4.300

## CHASSIS

### Front Suspension

- Single stage alloy taper-leaf
- Double acting shock absorber
- Stabiliser bar

### Rear Suspension

- Multi Leaf Main Spring, taper-leaf helper spring
- Double acting shock absorbers with stabiliser bar

### Steering

- Power assisted rack and pinion
- Turns lock-to-lock 5.4
- Gear Ratio 20.9:1
- Maximum angle: 43° (inside wheel) / 33° (outside wheel)

### Chassis Frame

- Cold riveted ladder frame & side members, rivet-less top flange
- JSH440 weldable steel
- Rail dimensions (mm) 216 x70 x 6
- Frame width (mm) 850

### Brakes

- Auto adjusting front & rear disc with hydraulic dual circuit control, vacuum assisted with Electronic Brake Distribution (EBD)
- ABS and ASR (traction control)
- Hill Start Aid (except AMT)
- Front disc diameter 363 x 42mm
- Rear disc diameter 348 x 42mm
- 203mm diameter drum park brake on rear of transmission

### Wheels and Tyres

- 19.5 x 6.0 x 127mm 6-stud steel rims
- 225/70R19.5 125/123M tubeless tyres
- White painted wheel rims
- Frame mounted spare wheel with tyre

### Electrical

- 24 volt negative earth system
- 90amp alternator
- Batteries - 2 x 80D26L 80Ah, 630CCA connected in series

## CAB AND INTERIOR

### CAB EXTERIOR

- All steel construction, high tensile steel on cab under-frame and side impact beam reinforcement
- Cab is fully compliant with ECE-R29 crash tests
- Manual cab tilt to 45° with torsion bar assistance
- Liquid filled front and rear cab mounts
- Heavy duty non-slip cab entry steps
- 90° opening doors
- Door mounted 19" main mirrors
- Halogen multi-reflector headlamps with integral front turn signals
- Additional door mounted turn signals
- Polycarbonate front bumper with steel frame
- Combined brake/turn/reverse/marker lamps
- Registration plate lamps
- Reverse alarm buzzer standard

### CAB INTERIOR

- Contoured adjustable driver's bucket seat with mechanical suspension rated to 130 kg
- Passenger bench seat with capacity for two adults
- 3-point seatbelts in all outboard seating positions. Driver and outboard front passenger seatbelts fitted with pretensioner. Centre seat lap belt
- Air bag for both outer seats.
- Lined interior, padded roof lining & vinyl floor covers
- RH and LH overhead storage shelf

### CAB INTERIOR (continued)

- Height/reach adjustable steering column, soft-feel urethane steering wheel with audio controls
- Electric windows
- Central locking with keyless entry & immobiliser
- Twin cup holders, 24V cigarette lighter
- Integrated air conditioning with 4 speed fan
- Door mounted storage pockets
- Fluorescent interior light
- Spare DIN sized communications compartment
- **Multi-Media 6.2inch touch screen LCD (16:9)**
- Android OS Automotive V5.1, Music Box
- Internet radio via Wifi
- SMS: Text to speech feature & Bluetooth 4.0
- **Optional accessories:** (contact your Isuzu dealer for full list & details).
- Telematics-system.
- Parking sensors, tyre-pressure monitoring, Sat-Nav, up to 4-cameras, 4-way split screen
- Advanced Driver Assistance System. (ADAS).

### Tipper Body

- All-steel drop side body
- Auto release 2-way tailgate and body lock hook
- 3.6 m<sup>3</sup> volume capacity
- Material: Deck: 4.5mm, Sides, tail plate & front: 3.2
- 20 second body raise and lower
- Shovel rack, rope rails, non-slip side steps

Please refer to Owners and Drivers Manual for more detailed operation, driving instruction and warnings

### INSTRUMENTS and CONTROLS

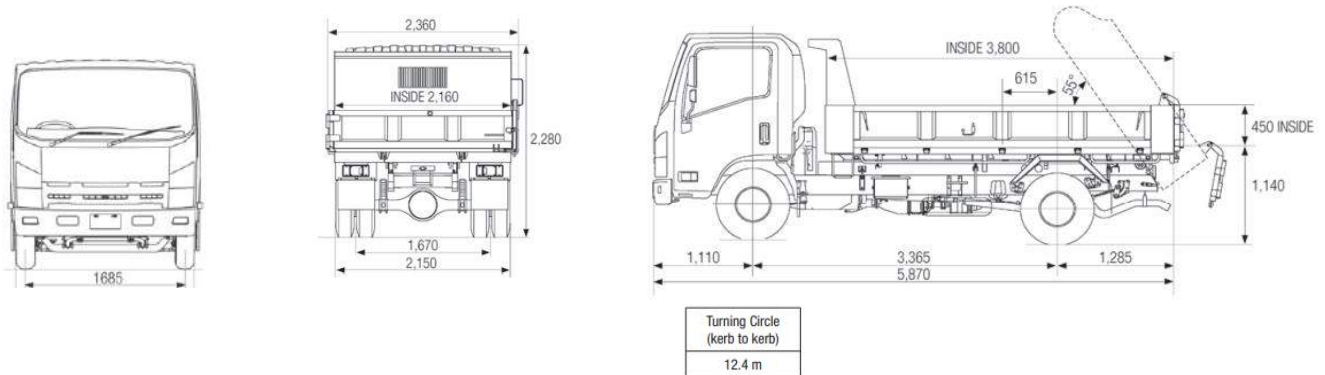
- Speedometer with digital odometer, tachometer, integrated dual trip meter, engine coolant temperature, fuel level gauge.
- Two-speed wipers with intermittent wipe mode
- Key operated engine start/stop, steering lock
- HSA slow/fast engagement control with on/off switch (except AMT), ASR on/off switch
- **AMT:** slow/fast clutch engagement control, 1st gear selection, economy mode
- **LH** combination stalk: Windscreen wipers, washers & exhaust brake
- **RH** combination stalk: Indicators, light switch & headlamp dip switch, cruise control, (AMT only)
- **Warning lamps:** Check engine, oil pressure, ABS, SRS, alternator charge, service brake, park brake on, seat belt unbuckled, AMT check
- Indicator lamps – HSA (**except AMT**), warm-up system, high beam, 1st gear start, turn signals
- **AMT model:** Multi-information display. Shows service interval, instantaneous & average fuel consumption, hour meter, voltmeter, time/day/date & includes 40-120 km/h adjustable vehicle, speed warning.

## WEIGHTS (kgs)

Model Codes	MODELS	RATINGS *		LOADING LIMITS (at ground)*		CHASSIS CAB TARE MASS **		
		GVM	GCM	FRONT	REAR	FRONT	REAR	TOTAL
NQ1418	NQR500M Tipper	8700	12200	3100	6200	2080	1930	4010
NQ1618	NQR500M AMT Tipper	8700	12200	3100	6200	2080	1930	4010

\* Vehicle ratings and front and rear mass limits are subject to regulatory requirements – Consult your dealer to select a specific vehicle to suit your requirements

\*\* Chassis cab as supplied from the factory including 10 litres of fu



## WARRANTY

**Full vehicle warranty:** 36 months or 100,000 kilometres whichever occurs first

All warranty is subject to terms and conditions as detailed in the Owner's Manual Service and Warranty Supplement

policy of continuous improvement means that these specifications are subject to change without notice. Contact your Isuzu dealer or visit our website at Isuzu.co.nz to confirm specifications. Images of vehicles are representative only and may differ slightly from the actual vehicle

\*\* Always refer to NZTA to confirm & for licensing changes