

FRR 600
FRR 600 CREW
FRD 600



WEIGHT RATINGS*

GVM 11,000 kg
GCM 16,000 kg

ENGINE

POWER 191 kW @ 2,400 rpm
TORQUE 761 Nm @ 1,450 - 2400 rpm

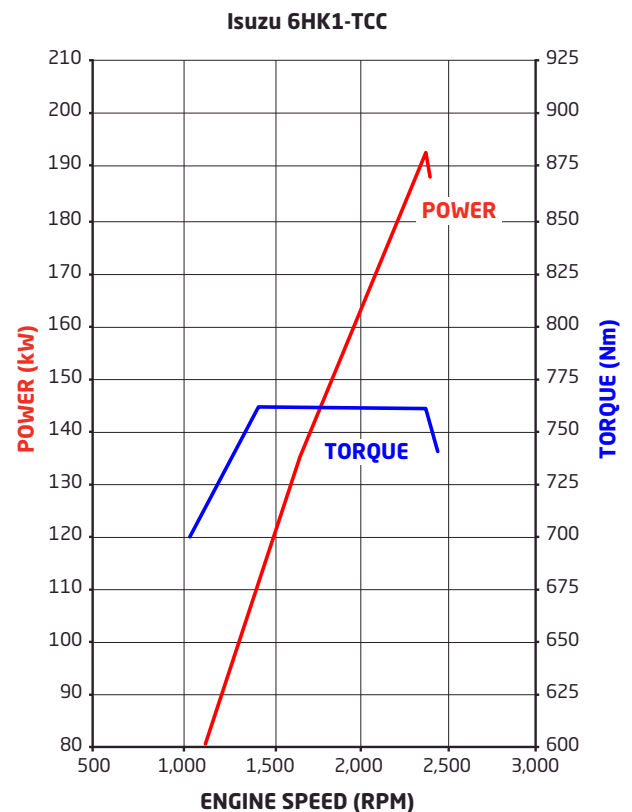
TRANSMISSION

6 speed manual transmission (MT)
 6 speed automatic transmission (AT)

* Refer to back page for detailed weight rating information

ENGINE	
DESCRIPTION	Isuzu 6HK1-TCC
TYPE	6 cylinder 24 valve SOHC
DISPLACEMENT	7,790 cc
COMPRESSION RATIO	17.5:1
BORE X STROKE	115 mm x 125 mm
POWER	191 kW (260PS) @ 2,400 RPM (DIN NET)
TORQUE	761 Nm @ 1,450 RPM - 2,400 RPM (DIN NET)
INDUCTION	Electronically controlled variable nozzle turbocharger with air-to-air intercooler
FUEL INJECTION	Direct injection high pressure common rail system
EMISSION CONTROL	Cooled EGR with exhaust Diesel Particulate Diffuser (DPD), ADR 80/03 (Euro V / EEV) compliant.

INTELLIGENT SAFETY		
ACTIVE SAFETY	Anti Lock Braking System	(ABS)
	Anti Skid Regulator - except AT & crew models	(ASR)
	Hill Start Aid - except AT models	(HSA)
	Cab Tilt Warning	(CTW)
PASSIVE SAFETY CABIN OCCUPANT SAFETY SYSTEMS (COSS)	Driver & front passenger airbags	
	Driver & front left hand passenger seatbelt pretensioners	
	ECE-R29 cab with side anti-intrusion beams	
	Door mounted cornering lamps except FRR 600 and FRR 600 L AUTO	



ISUZU WARRANTY COVER	
WARRANTY	5 year / 300,000 km Warranty#

TRANSMISSION							
MT	CLUTCH	Type: Single plate with air assisted hydraulic control					
		Clutch plate diameter: 381 mm					
		Clutch lining area: 1,363 cm ²					
	GEARBOX	Description: Isuzu MZW-6P					
		Type: 6 speed with synchromesh on gears 2-6					
Ratios:							
1st		2nd	3rd	4th	5th	6th	Rev
	6.615	4.095	2.358	1.531	1.000	0.722	6.615
Power Take Off facility: PTO provision on LHS of transmission case							
Other features: Air assisted shift, full pressure oil lubrication							
AT	Description: Allison LCT2500						
	Type: 6 speed automatic						
	Ratios:						
	1st	2nd	3rd	4th	5th	6th	Rev
		3.51	1.90	1.44	1.00	0.74	0.64
Power Take Off facility: LHS and RHS PTO openings on transmission case. Torque convertor turbine driven PTO drive gear.							
Other features: Allison long life TranSynd synthetic fluid							

AXLES	
FRONT	Description: Isuzu F041
	Type: Reverse Elliot I-beam
	Capacity: 4,100 kg
REAR	Description: Isuzu R077
	Type: Single drive
	Capacity: 7,700 kg
	Ratio: 4.333

SUSPENSION			
FRONT	Type:	Single stage alloy steel taper-leaf springs	
	Other features:	Double acting hydraulic shock absorbers. Stabiliser bar.	
REAR	FRR	Type: Multi-leaf main spring, multi leaf helper spring	
	FRD	Description:	Hendrickson HAS200
		Type:	Airbag
		Capacity:	9,000 kg at ground

BRAKES	
TYPE	Air over hydraulic dual circuit front & rear drum brakes
DIAMETER X WIDTH FRONT	320 x 120 mm
DIAMETER X WIDTH REAR	320 x 145 mm
PARK BRAKE	Spring park brake acting on all rear wheels
AUXILIARY BRAKE	Air controlled exhaust brake

STEERING	
TYPE	Power assisted recirculating ball
GEAR RATIO	16.1 - 18.8:1
TURNS LOCK TO LOCK	4.1
WHEEL LOCK ANGLE	52° (inside wheel) / 39° (outside wheel)

WHEELS & TYRES		
FRONT	Wheels:	17.5 x 6.75 six stud steel wheels
	Tyres:	235/75R17.5 132/130M
	Steer axle tyre rating	4,000 kg
REAR	Wheels:	17.5 x 6.75 six stud steel wheels
	Tyres:	235/75R17.5 132/130M
	Drive axle tyre rating:	7,600 kg
Spare: Spare wheel and tyre assembly supplied. Winch type carrier.		

CHASSIS FRAME	
TYPE	Cold rivetted ladder frame with parallel side rails.
MATERIAL	HT540A steel sidemembers
DIMENSIONS	Side rail (mm): 225 x 70 x 6.0 Rear frame width (mm): 840

FUEL TANK	
TYPE	Frame mounted steel fuel tank
CAPACITY	200L
FUEL CAP	Lockable

ELECTRICAL SYSTEM	
TYPE	24 volt
ALTERNATOR	90 amp
STARTER MOTOR	5.0 kW
BATTERY	2 x 115E41L (651 CCA) batteries connected in series
CAN BUS PROVISION	Underdash CAN system access plug for connection to a Fleet Management System (FMS) (not supplied)

CABIN GENERAL FEATURES	
ENGINE ACCESS	Single cab: Manual cab tilt to 45° with torsion bar assistance Crew cab: Electro-hydraulic cab tilt
STEPS	Heavy duty anti slip steps
DOORS	90° opening internally reinforced front doors
MIRRORS	Heated and powered exterior main mirrors with flat glass & additional independantly adjustable convex "spot" mirrors
WIPERS	Two speed windscreen wipers with intermittent wipe mode
EXTERIOR LIGHTING	LED main beam & halogen high beam headlamp assembly with position lamp
	Roof mounted clearance lamps
	Front foglamps
AUDIBLE WARNING	Reverse alarm
GRILLE	Body coloured, Crew Cab Chrome
FRONT BUMPER	Body coloured air dam type
SECURITY	Central locking with remote keyless entry & immobiliser

CABIN INTERIOR	
SEATING	Isri 6860/875 NTS air suspension driver's seat
	Front passenger adjustable bucket seat & front centre seat with folding seat back
	Crew cab: Rear bench seat with 4 seat capacity
SEATBELTS	3-point lap sash seatbelts in all outboard seating positions. Driver seatbelt integrated with driver seat. Centre seat lap belts.
STEERING COLUMN	Tilt/telescopic adjustable
ENTRY ASSIST GRIPS	Door & roof pillar mounted
DOOR WINDOWS	Electric control
STORAGE	Overhead compartments
	Twin cup holders
	Centre console box & storage tray
	Front door pockets
POWER OUTLET	24V cigarette lighter
AIRCONDITIONING	Manual control
INTERIOR LIGHTING	Fluorescent lamp

AUDIO VISUAL UNIT	
SCREEN TYPE	6.2" LCD with capacitive touch
OPERATING SYSTEM	Android
RADIO	AM / FM
INTERNAL STORAGE CAPACITY	32GB
OTHER CAPABILITY	Bluetooth features. USB 3.0 socket. Provision for external camera inputs, navigation, reverse sensors, and tyre pressure monitoring.

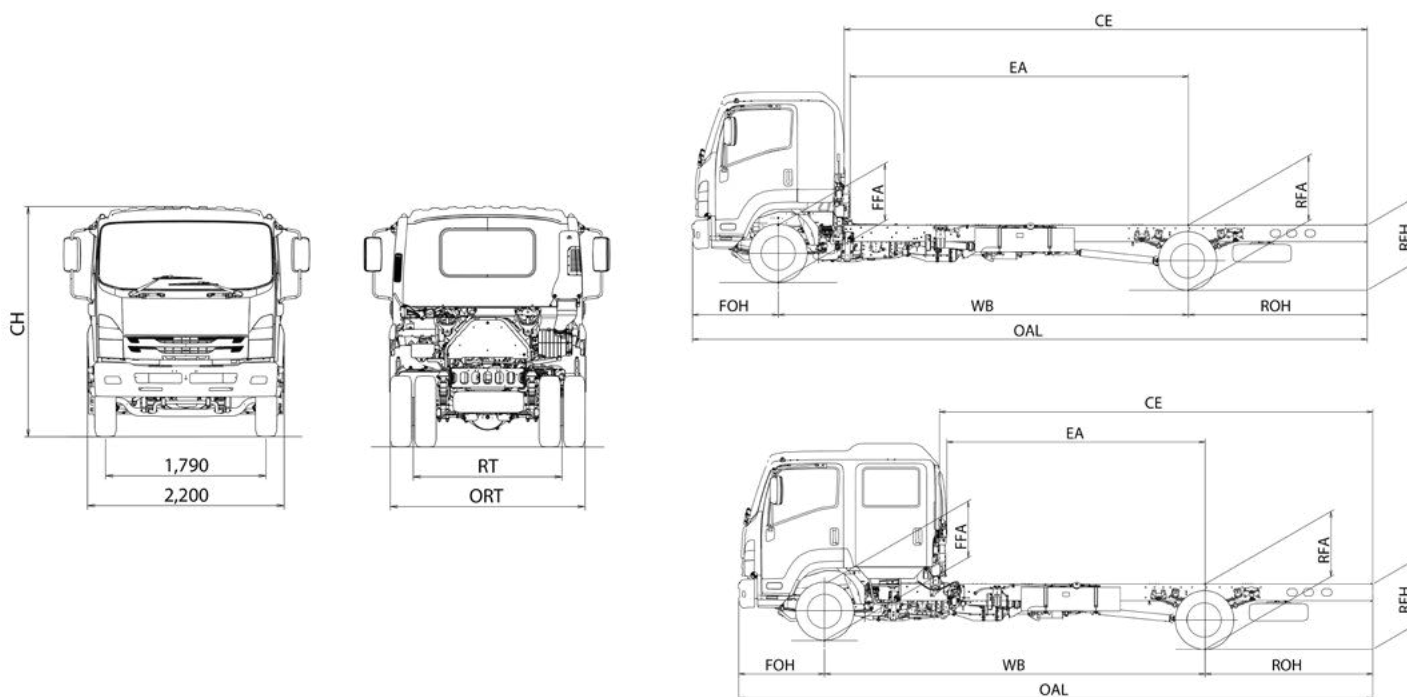
DRIVER CONTROLS	
SAFETY SYSTEMS	ASR on/off (except crew and AT models), HSA on/off/ sensitivity adjust (except AT models)
ENGINE	Idle speed control
	Cruise control
	DPD manual regeneration switch
TRANSMISSION (AT ONLY)	T-bar gear selection control
GENERAL CONTROLS	Headlamp on/off and levelling, windscreen wipers (2 speed and intermittent modes), washers, exhaust brake, turn signals

INSTRUMENTATION	
MULTI INFORMATION DISPLAY	CTW indicator
	Vehicle systems status
	Low fuel level alert
	Fuel consumption information
	Service interval alerts
	Hourmeter
GENERAL INSTRUMENTATION	Adjustable vehicle speed warning
	Speedometer & tachometer
	Digital odometer with integrated dual tripmeters
	Engine coolant temperature, fuel level and air pressure gauges

WEIGHTS (kg)							
MODELS	RATINGS*		LOADING LIMIT* (at ground)		CAB CHASSIS WEIGHT #		
	GVM	GCM	FRONT	REAR	FRONT	REAR	TOTAL
FRR 600	11,000***	16,000	4,000	7,600	2,315	1,245	3,560
FRR 600 AUTO	11,000***	16,000	4,000	7,600	2,290	1,215	3,505
FRR 600L AUTO	11,000***	16,000	4,000	7,600	2,330	1,240	3,570
FRR 600 CREW AUTO	11,000***	16,000	4,000	7,600	2,530	1,300	3,830
FRD 600L AUTO	11,000***	16,000	4,000	7,600	2,315	1,330	3,645

*Vehicle ratings and front/rear weight limits are subject to government regulatory requirements and weight distribution analysis. Consult your Isuzu dealer to select the correct vehicle for your specific application. # Cab chassis only as supplied and including 10 litres of fuel.

DIMENSIONS (mm)													
MODELS	WB	OAL	FOH	ROH	EA	CE	RT	ORT	CH	FFA (unladen)	RFA (unladen)	RFH (unladen)	TURNING CIRCLE KERB TO KERB (m)
FRR 600 AUTO	4,360	7,255	1,170	1,725	3,375	5,190	1,660	2,170	2,585	715	895	960	13.9
FRR 600/FRR 600L AUTO	5,160	8,605	1,170	2,275	4,175	6,540	1,660	2,170	2,585	715	895	950	16.4
FRR 600 CREW AUTO	5,160	8,605	1,170	2,275	3,450	5,848	1,660	2,170	2,650	715	895	950	16.4
FRD 600L AUTO	5,160	8,605	1,170	2,275	4,175	6,540	1,660	2,170	2,585	720	820	860	16.4



PERFORMANCE (calculated - typical paved road)				
		GEARED SPEED~ (top gear at peak power engine rpm)	LOW SPEED GRADEABILITY (lowest forward gear assuming no wheel slip)	ENGINE SPEED (top gear at 90 km/h)
FRR 600	at 11,000 kg GVM	113 km/h @ 2,400 rpm	46%	1,915 rpm
FRR/FRD 600 AUTO	at 11,000 kg GVM	127 km/h @ 2,400 rpm	39%	1,697 rpm

*Maximum speed achievable depends on vehicle frontal area as well as other factors. Consult your Isuzu dealer for more detailed information.

ORDER CODES	
MODELS	CODES
FRR 600 AUTO	FR0616
FRR 600	FR0716
FRR 600 CREW AUTO	FR0822
FRR 600 L AUTO	FR0916
FRD 600 L AUTO	FR1016

#Total 5 Year Warranty, including Base Warranty (36 months / 150,000kms) and Additional Warranty (24 months / 150,000kms), cover is 60 months or 300,000kms, whichever comes first. To qualify for Additional Warranty, all scheduled servicing during the Base and Additional Warranty periods (ie. the total 60 months) must be performed by an authorised Isuzu service dealer from the date of delivery to the first customer. If scheduled servicing is performed by unauthorized service providers, only the Base Warranty will apply. Tipper bodies are excluded from Additional Warranty. These are covered by Base Warranty only.

The information in this spec sheet was correct at time of printing, but all measurements, specifications and equipment are subject to change without notice. Some equipment may have been changed and/or is available at extra cost. Isuzu New Zealand (INZ) may make changes at any time without notice, in prices, colours, materials, equipment and models. INZ makes all reasonable attempts to ensure the availability of all vehicles and equipment. The information in this spec sheet is general in nature. Your Isuzu dealer can confirm all measurements, specifications and vehicle / equipment availability upon request. To the extent permitted by the law, INZ is not liable to any person as result of reliance on the content of this spec sheet.