

**FVZ 1400/1350 6X4**  
**FVY 1400/1350 6X4**



Truck images shown may vary from actual model specification - Contact Isuzu for further details

### WEIGHT RATINGS\*

**GVM** 24,000 / 18,000 kg  
**GCM** 27,500 / 21,500 kg

### ENGINE

**POWER** 221 kW @ 2,400 rpm  
**TORQUE** 981 Nm @ 1,450 rpm

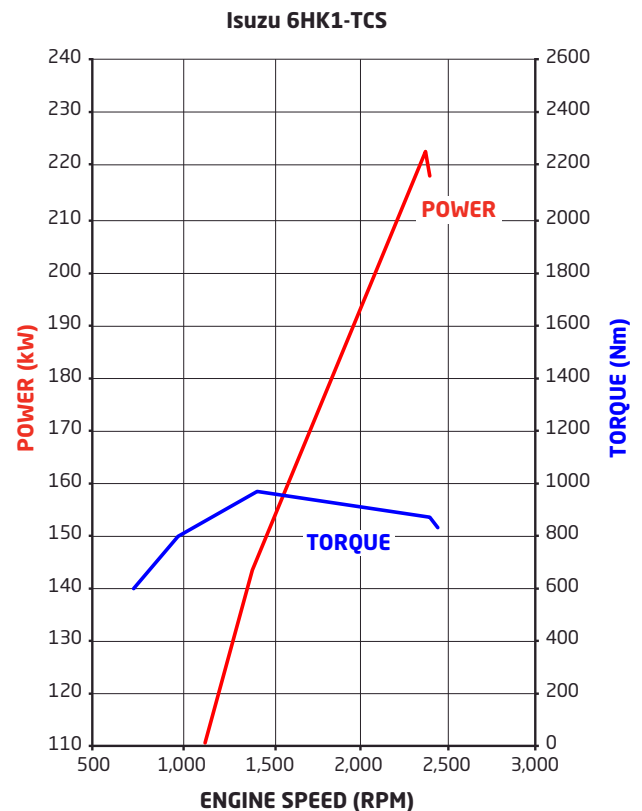
### TRANSMISSION

9 speed manual transmission (MT)  
 6 speed automatic transmission (AT)

\* Refer to back page for detailed weight rating information

ENGINE	
<b>DESCRIPTION</b>	Isuzu 6HK1-TCS
<b>TYPE</b>	6 cylinder 24 valve SOHC
<b>DISPLACEMENT</b>	7,790 cc
<b>COMPRESSION RATIO</b>	17.5:1
<b>BORE X STROKE</b>	115 mm x 125 mm
<b>POWER</b>	221kW (300PS) @ 2,400 RPM (DIN NET)
<b>TORQUE</b>	981 Nm @ 1,450 RPM (DIN NET)
<b>INDUCTION</b>	Electronically controlled variable nozzle turbocharger with air-to air intercooler.
<b>FUEL INJECTION</b>	Direct injection high pressure common rail system.
<b>EMISSION CONTROL</b>	Cooled EGR with exhaust Diesel Particulate Diffuser (DPD). ADR 80/03 (Euro V / EEV) compliant.

INTELLIGENT SAFETY		
<b>ACTIVE SAFETY</b>	Electronic Stability Control	<b>(ESC)</b>
	Anti Lock Braking System	<b>(ABS)</b>
	Anti Skid Regulator	<b>(ASR)</b>
	Electronic Braking System	<b>(EBS)</b>
	Hill Start Aid - except AT models	<b>(HSA)</b>
	Cab Tilt Warning	<b>(CTW)</b>
<b>PASSIVE SAFETY CABIN OCCUPANT SAFETY SYSTEMS (COSS)</b>	Driver & front passenger airbags	
	Driver & front left hand passenger seatbelt pretensioners	
	ECE-R29 cab with side anti-intrusion beams	



ISUZU WARRANTY COVER	
<b>WARRANTY</b>	5 year / 350,000 km Warranty#

TRANSMISSION																				
MT	CLUTCH	<b>Type:</b> Single plate with air assisted hydraulic control																		
		<b>Clutch plate diameter:</b> 381 mm																		
		<b>Clutch lining area:</b> 1,363 cm <sup>2</sup>																		
	GEARBOX	<b>Description:</b> ZF 9S 1110 T0																		
		<b>Type:</b> 9 speed with synchromesh on gears 1-8																		
		<b>Ratios:</b>																		
<table border="1"> <tr> <th>Crawler</th> <th>1st</th> <th>2nd</th> <th>3rd</th> <th>4th</th> <th>5th</th> <th>6th</th> <th>7th</th> <th>8th</th> <th>Rev</th> </tr> <tr> <td>9.48</td> <td>6.58</td> <td>4.68</td> <td>3.48</td> <td>2.62</td> <td>1.89</td> <td>1.35</td> <td>1.00</td> <td>0.75</td> <td>8.97</td> </tr> </table>		Crawler	1st	2nd	3rd	4th	5th	6th	7th	8th	Rev	9.48	6.58	4.68	3.48	2.62	1.89	1.35	1.00	0.75
Crawler	1st	2nd	3rd	4th	5th	6th	7th	8th	Rev											
9.48	6.58	4.68	3.48	2.62	1.89	1.35	1.00	0.75	8.97											
<b>Power Take Off facility:</b> Provision at rear of transmission case																				
<b>Other features:</b> Repeat 'H' shift pattern																				
AT	<b>Description:</b> Allison 3500																			
	<b>Type:</b> 6 speed automatic																			
	<b>Ratios:</b>																			
	<table border="1"> <tr> <th>1st</th> <th>2nd</th> <th>3rd</th> <th>4th</th> <th>5th</th> <th>6th</th> <th>Rev</th> </tr> <tr> <td>4.59</td> <td>2.25</td> <td>1.54</td> <td>1.00</td> <td>0.75</td> <td>0.65</td> <td>5.00</td> </tr> </table>	1st	2nd	3rd	4th	5th	6th	Rev	4.59	2.25	1.54	1.00	0.75	0.65	5.00					
	1st	2nd	3rd	4th	5th	6th	Rev													
4.59	2.25	1.54	1.00	0.75	0.65	5.00														
<b>Power Take Off facility:</b> LHS and top openings on transmission bellhousing. Engine driven PTO drive gear.																				
<b>Other features:</b> 5th generation electronic controls with adaptive shift. Long life TranSynd synthetic fluid.																				

AXLES		
FRONT	<b>Description:</b> Meritor FG941	
	<b>Type:</b> Reverse Elliot I-beam	
	<b>Capacity:</b> 6,600 kg	
REAR	<b>Description:</b>	Meritor MT40-144GP (MT models)
		Meritor MT44-144GP (AT models)
	<b>Type:</b> Tandem drive	
	<b>Other Features:</b> Inter-axle lock	
	<b>Capacity:</b> 20,000 kg	
	<b>Ratio:</b> 6.142 except FVY MT: 5.285	

SUSPENSION		
FRONT	<b>Type:</b> Single stage alloy steel taper-leaf springs	
	<b>Other features:</b> Double acting hydraulic shock absorbers. Stabiliser bar.	
REAR	FVZ	<b>Type:</b> Multi-leaf springs with Isuzu 6 rod and trunnion location system
		<b>Description:</b> Hendrickson HAS460
	FVY	<b>Type:</b> Airbag
		<b>Capacity:</b> 18,100 kg at ground

ELECTRICAL SYSTEM	
<b>TYPE</b>	24 volt
<b>ALTERNATOR</b>	90 amp
<b>STARTER MOTOR</b>	5.0 kW
<b>BATTERY</b>	2 x 115E41L (651 CCA) batteries connected in series
<b>CAN BUS PROVISION</b>	Underdash CAN system access plug for connection to a Fleet Management System (FMS) (not supplied)

BRAKES	
<b>DESCRIPTION</b>	Meritor 'Q-Plus'
<b>TYPE</b>	Full air 'S-Cam' front & rear drum brakes
<b>DIAMETER X WIDTH FRONT</b>	419 x 127 mm
<b>DIAMETER X WIDTH REAR</b>	419 x 178 mm
<b>PARK BRAKE</b>	Spring park brake acting on all rear wheels
<b>AUXILIARY BRAKE</b>	Air controlled exhaust brake

STEERING	
<b>TYPE</b>	Power assisted recirculating ball
<b>GEAR RATIO</b>	22.4:1
<b>TURNS LOCK TO LOCK</b>	5.4
<b>WHEEL LOCK ANGLE</b>	45° (inside wheel) / 35° (outside wheel)

WHEELS & TYRES	
FRONT	<b>Wheels:</b> 22.5 x 8.25 ten stud ISO standard steel wheels
	<b>Tyres:</b> 275/70R22.5 148/145M Michelin X Multi Z Tubeless (FVZ Man 295/80R22.5 152/148M Michelin X Multi Z Tubeless)
	<b>Steer axle tyre rating:</b> 6,300 kg (FVZ Man 7,100 kg)
REAR	<b>Wheels:</b> 22.5 x 8.25 ten stud ISO standard steel wheels
	<b>Tyres:</b> 275/70R22.5 148/145M Michelin X Multi Z Tubeless (FVZ Man 11R22.5 148/145L Michelin X Multi D Tubeless)
	<b>Tandem axle tyre rating:</b> 11,600 kg (FVZ man 23,200 kg)
<b>Spare:</b> Spare wheel and X Multi Z tyre assembly supplied.	

CHASSIS FRAME	
<b>TYPE</b>	Cold rivetted ladder frame with parallel side rails.
<b>MATERIAL</b>	<b>FVZ:</b> HT540A <b>FVY:</b> SAPH440
<b>DIMENSIONS</b>	<b>MWB / LWB:</b> <b>Side rail (mm):</b> 254 x 85 x 8.0 <b>Rear frame width (mm):</b> 850 <b>LWB:</b> <b>Side rail (mm):</b> 258 x 85 x 10.0 <b>Rear frame width (mm):</b> 850

FUEL TANK	
<b>TYPE</b>	Frame mounted steel fuel tank (except FVY models with MT) Frame mounted aluminium fuel tank (FVY with MT)
<b>CAPACITY</b>	200L (except FVY models with MT) 400L (FVY with MT)
<b>FUEL CAP</b>	Lockable

CABIN GENERAL FEATURES	
<b>ENGINE ACCESS</b>	Electro-hydraulic cab tilt
<b>CAB MOUNTING</b>	Rear coil spring suspension with hydraulic shock absorbers
<b>STEPS</b>	Heavy duty anti slip steps
<b>DOORS</b>	90° opening internally reinforced front doors
<b>MIRRORS</b>	Heated & powered exterior main mirrors with flat glass and additional independantly adjustable convex "spot" mirrors
<b>WIPERS</b>	Two speed windscreen wipers with intermittent wipe mode
<b>EXTERIOR LIGHTING</b>	LED main beam and halogen high beam headlamp assembly with position lamp
	Roof mounted clearance lamps
	Front foglamps
<b>AUDIBLE WARNING</b>	Reverse alarm
<b>GRILLE</b>	Body coloured
<b>FRONT BUMPER</b>	Body coloured air dam type
<b>SECURITY</b>	Central locking with remote keyless entry & immobiliser

CABIN INTERIOR	
<b>SEATING</b>	Isri 6860/875 NTS air suspension driver's seat
<b>SEATBELTS</b>	3-point lap sash seatbelts in all outboard seating positions. Driver seatbelt integrated with driver seat. Centre seat lap belts.
<b>STEERING COLUMN</b>	Tilt/telescopic adjustable
<b>ENTRY ASSIST GRIPS</b>	Door & roof pillar mounted
<b>DOOR WINDOWS</b>	Electric control
<b>STORAGE</b>	Overhead compartments
	Twin cup holders
	Centre console box & storage tray
	Front door pockets
<b>POWER OUTLET</b>	24V cigarette lighter
<b>AIRCONDITIONING</b>	Manual control
<b>INTERIOR LIGHTING</b>	Fluorescent lamp
<b>REAR COMPARTMENT</b>	ADR 42 compliant sleeper with mattress

AUDIO VISUAL UNIT	
<b>SCREEN TYPE</b>	6.2" LCD with capacitive touch
<b>OPERATING SYSTEM</b>	Android
<b>RADIO</b>	AM / FM
<b>INTERNAL STORAGE CAPACITY</b>	32GB
<b>OTHER CAPABILITY</b>	Bluetooth features. USB 3.0 socket. Provision for external camera inputs, navigation, reverse sensors, and tyre pressure monitoring.

DRIVER CONTROLS	
<b>SAFETY SYSTEMS</b>	ESC on/off, HSA on/off/sensitivity adjust (except AT models)
	Idle speed control
<b>ENGINE</b>	Cruise control
	DPD manual regeneration switch
<b>TRANSMISSION (AT ONLY)</b>	Pushbutton gear selection control
<b>GENERAL CONTROLS</b>	Headlamp on/off and levelling, windscreen wipers (2 speed and intermittent modes), washers, exhaust brake, turn signals
	Inter-axle lock engage switch

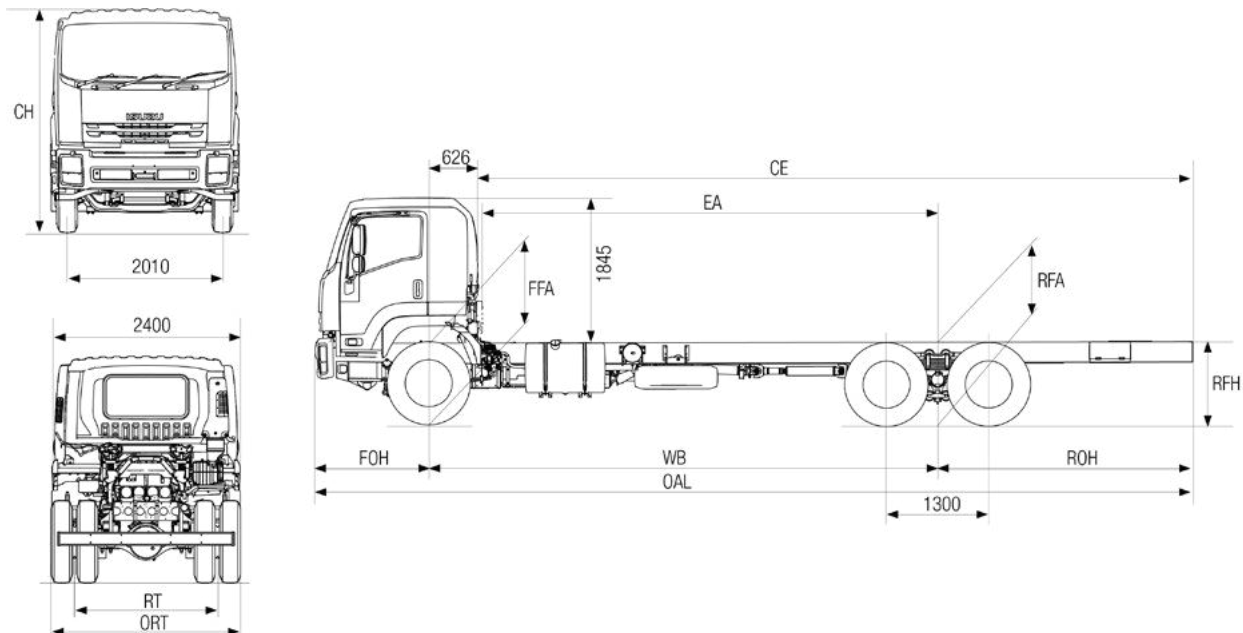
INSTRUMENTATION	
<b>MULTI INFORMATION DISPLAY</b>	CTW indicator
	Vehicle systems status
	Low fuel level alert
	Fuel consumption information
	Service interval alerts
	Hourmeter
<b>GENERAL INSTRUMENTATION</b>	Adjustable vehicle speed warning
	Speedometer & tachometer
	Digital odometer with integrated dual tripmeters
	Engine coolant temperature, fuel level and air pressure guages

# FVZ 1400/1350 6X4 FVY 1400/1350 6X4

WEIGHTS (kg)							
MODELS	RATINGS*		LOADING LIMIT* (at ground)		CAB CHASSIS WEIGHT #		
	GVM	GCM**	FRONT	REAR	FRONT	REAR	TOTAL
<b>FVZ 1400M/1350M</b>	24,000 / 18,000	27,500 / 21,500	6,000	15,000	3,290	3,395	6,685
<b>FVZ 1400/1350 AUTO</b>	24,000 / 18,000	27,500 / 21,500	6,000	15,000	3,475	3,440	6,915
<b>FVY 1400L/1350L</b>	24,000 / 18,000	27,500 / 21,500	6,000	15,000	3,545	3,440	6,985
<b>FVY 1400/1350 AUTO</b>	24,000 / 18,000	27,500 / 21,500	6,000	15,000	3,595	3,420	7,015

\*Vehicle ratings and front/rear weight limits are subject to government regulatory requirements and weight distribution analysis. Consult your Isuzu dealer to select the correct vehicle for your specific application. # Cab chassis only as supplied and including 10 litres of fuel. \*\*max towed mass 3,500 kg.

DIMENSIONS (mm)													
MODELS	WB	OAL	FOH	ROH	EA	CE	RT	ORT	CH	FFA (unladen)	RFA (unladen)	RFH (unladen)	TURNING CIRCLE KERB TO KERB (m)
<b>FVZ 1400M/1350M</b>	4,410	7,605	1,440	1,755	3,710	5,540	1,840	2,445	2,850	1,000	1,075	1,090	15.4
<b>FVZ 1400M/1350M AUTO</b>	5,300	9,180	1,440	2,440	4,600	7,115	1,840	2,445	2,850	1,000	1,075	1,080	18.5
<b>FVY 1400/1350 MANUAL &amp; AUTO</b>	6,470	11,150	1,440	3,240	5,770	9,085	1,840	2,445	2,850	1,000	1,020	1,025	22.6



PERFORMANCE (calculated - typical paved road)				
		GEARED SPEED~ (top gear at peak power engine rpm)	LOW SPEED GRADEABILITY (lowest forward gear assuming no wheel slip)	ENGINE SPEED (top gear at 90 km/h)
<b>FVY 1400L</b>	at 24,000 kg GVM	107 km/h @ 2,400 rpm	39%	2,010 rpm
<b>FVY 1350L</b>	at 18,000 kg GVM	107 km/h @ 2,400 rpm	53%	2,010 rpm
<b>FVY 1400 AUTO</b>	at 24,000 kg GVM	107 km/h @ 2,400 rpm	32%	2,024 rpm
<b>FVY 1350 AUTO</b>	at 18,000 kg GVM	107 km/h @ 2,400 rpm	42%	2,024 rpm
<b>FVZ 1400M</b>	at 24,000 kg GVM	101 km/h @ 2,400 rpm	42%	2,142 rpm
<b>FVZ 1350M</b>	at 18,000 kg GVM	101 km/h @ 2,400 rpm	57%	2,142 rpm
<b>FVZ 1400 AUTO</b>	at 24,000 kg GVM	107 km/h @ 2,400 rpm	32%	2,024 rpm
<b>FVZ 1350 AUTO</b>	at 18,000 kg GVM	107 km/h @ 2,400 rpm	42%	2,024 rpm

\* Maximum speed achievable depends on vehicle frontal area as well as other factors. Consult your Isuzu dealer for more detailed information. Vehicle is speed limited to 100km/h.

ORDER CODES	
MODELS	CODES
<b>FVZ 1400M</b>	FV0616
<b>FVZ 1400 AUTO</b>	FV0716
<b>FVZ 1350M</b>	FV1316
<b>FVZ 1350 AUTO</b>	FV1416
<b>FVY 1400L</b>	FV0416
<b>FVY 1400 AUTO</b>	FV0516
<b>FVY 1350L</b>	FV1116
<b>FVY 1350 AUTO</b>	FV1216

#Total 5 Year Warranty, including Base Warranty (36 months / 200,000kms) and Additional Warranty (24 months / 150,000kms), cover is 60 months or 350,000kms, whichever comes first. To qualify for Additional Warranty, all scheduled servicing during the Base and Additional Warranty periods (ie. the total 60 months) must be performed by an authorised Isuzu service dealer from the date of delivery to the first customer. If scheduled servicing is performed by unauthorised service providers, only the Base Warranty will apply. Tipper bodies are excluded from Additional Warranty. These are covered by Base Warranty only.

The information in this spec sheet was correct at time of printing, but all measurements, specifications and equipment are subject to change without notice. Some equipment may have been changed and/or is available at extra cost. Isuzu New Zealand (INZ) may make changes at any time without notice, in prices, colours, materials, equipment and models. INZ makes all reasonable attempts to ensure the availability of all vehicles and equipment. The information in this spec sheet is general in nature. Your Isuzu dealer can confirm all measurements, specifications and vehicle / equipment availability upon request. To the extent permitted by the law, INZ is not liable to any person as result of reliance on the content of this spec sheet.