

## NPR 350 / NPR 325 TIPPER



### WEIGHT RATINGS

**GVM** 6,500 / 5,995 kg  
**GCM** 10,000 kg

### ENGINE

**POWER** 140 kW @ 2,600 rpm  
**TORQUE** 513 Nm @ 1,600 - 2,600 rpm

### TRANSMISSION

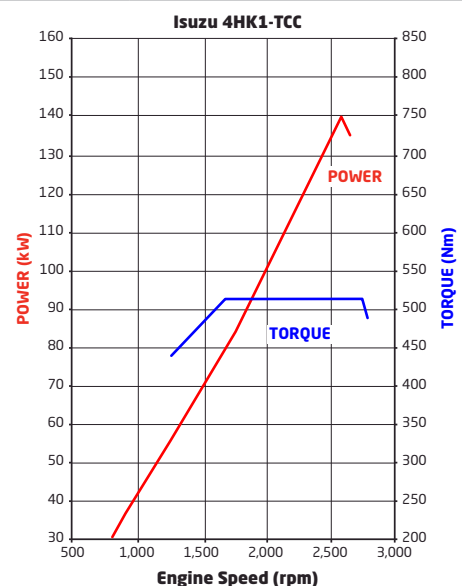
6 speed manual transmission (MT)  
 6 speed automated manual transmission (AMT)

\* Refer to back page for detailed weight rating information

INTELLIGENT SAFETY		
<b>ACTIVE SAFETY ADVANCED DRIVER ASSISTANCE SYSTEMS (ADAS)</b>	Advanced Emergency Braking	<b>(AEB)</b>
	Forward Collision Warning	<b>(FCW)</b>
	Distance Warning System	<b>(DWS)</b>
	Lane Departure Warning	<b>(LDW)</b>
	Traffic Movement Warning	<b>(TMW)</b>
	Electronic Stability Control	<b>(ESC)</b>
	Anti-Skid Regulator	<b>(ASR)</b>
	Anti-Lock Braking System	<b>(ABS)</b>
	Customisable Speed Limiter	<b>(CSL)</b>
	Hill Start Aid (MT only)	<b>(HSA)</b>
Automatic Lighting System (Front & Rear)	<b>(ALS)</b>	
Cab Tilt Warning	<b>(CTW)</b>	
<b>PASSIVE SAFETY CABIN OCCUPANT SAFETY SYSTEMS (COSS)</b>	Driver & front passenger airbags	
	Driver & front left hand passenger seatbelt pretensioners	
	ECE-R29 cab with side anti-intrusion beams	
	Handsfree functions on steering wheel	
	Door mounted cornering lamps	

ISUZU WARRANTY COVER	
<b>WARRANTY</b>	5 Year / 250,00 km Warranty#
ENGINE	
<b>DESCRIPTION</b>	Isuzu 4HK1-TCC
<b>TYPE</b>	4 cylinder 16 valve SOHC
<b>DISPLACEMENT</b>	5,193 cc
<b>COMPRESSION RATIO</b>	17.5:1
<b>BORE X STROKE</b>	115 mm x 125 mm
<b>POWER</b>	140 kW (190PS) @ 2,600 rpm (DIN NET)
<b>TORQUE</b>	513 Nm @ 1,600 - 2,600 rpm (DIN NET)
<b>INDUCTION</b>	Electronically controlled variable nozzle turbocharger with air-to-air intercooler
<b>FUEL INJECTION</b>	Direct injection high pressure common rail
<b>EMISSION CONTROL</b>	Cooled EGR with exhaust Diesel Oxidation Catalyst (DOC). ADR 80/03 (Euro V / EEV) compliant.

READY TO WORK	
<b>STANDARD FEATURES</b>	All steel body with drop sides
	Auto release two-way tailgate
	Auto release body lockdown hook
	Shovel rack
	LHS and RHS rope rails
	Non-slip side steps
	20 sec. raise / 20 sec. lower time
	<b>Cubic volume: 3.0 m<sup>3</sup></b>
	<b>Deck plate thickness: 3.2 mm</b>
	<b>Side / front / tail plate thickness: 2.3 mm</b>



# NPR 350/NPR 325 TIPPER

CLUTCH	
MT	<b>Type:</b> Single plate with auto adjusting hydraulic control and vacuum assistance
	<b>Clutch Plate Diameter:</b> 325 mm
	<b>Clutch lining area:</b> 966 cm <sup>2</sup>
AMT	<b>Type:</b> Fully automated electro/hydraulically controlled wet clutch and fluid coupling with lock up

TRANSMISSION															
MT	<b>Description:</b> Isuzu MZZ-6F														
	<b>Type:</b> 6 speed manual. Syncromesh on gears 1-6.														
	<b>Ratios:</b>														
	<table border="1"> <thead> <tr> <th>1ST</th> <th>2ND</th> <th>3RD</th> <th>4TH</th> <th>5TH</th> <th>6TH</th> <th>REV</th> </tr> </thead> <tbody> <tr> <td>6.369</td> <td>3.767</td> <td>1.966</td> <td>1.355</td> <td>1.000</td> <td>0.782</td> <td>6.369</td> </tr> </tbody> </table>	1ST	2ND	3RD	4TH	5TH	6TH	REV	6.369	3.767	1.966	1.355	1.000	0.782	6.369
1ST	2ND	3RD	4TH	5TH	6TH	REV									
6.369	3.767	1.966	1.355	1.000	0.782	6.369									
AMT	<b>Description:</b> Isuzu MZZ-6F														
	<b>Type:</b> 6 speed with both fully automatic and clutchless manual operation modes														
	<b>Ratios:</b>														
	<table border="1"> <thead> <tr> <th>1ST</th> <th>2ND</th> <th>3RD</th> <th>4TH</th> <th>5TH</th> <th>6TH</th> <th>REV</th> </tr> </thead> <tbody> <tr> <td>6.369</td> <td>3.767</td> <td>1.966</td> <td>1.355</td> <td>1.000</td> <td>0.782</td> <td>6.369</td> </tr> </tbody> </table>	1ST	2ND	3RD	4TH	5TH	6TH	REV	6.369	3.767	1.966	1.355	1.000	0.782	6.369
1ST	2ND	3RD	4TH	5TH	6TH	REV									
6.369	3.767	1.966	1.355	1.000	0.782	6.369									

AXLES	
FRONT	<b>Description:</b> Isuzu F031
	<b>Type:</b> Reverse Elliot I-beam
	<b>Capacity:</b> 3,100 kg
REAR	<b>Description:</b> Isuzu R066
	<b>Type:</b> Full floating banjo with four differential pinions
	<b>Capacity:</b> 6,600 kg
	<b>Ratio:</b> 3.909 (MT) 4.100 (AMT)

SUSPENSION	
FRONT	Single stage alloy steel taper leaf springs
	Double acting hydraulic shock absorbers. Stabiliser bar.
REAR	Multi leaf main, multi leaf helper spring
	Double acting hydraulic shock absorbers. Stabiliser bar.

BRAKES	
<b>TYPE</b>	Ventilated disc/disc with dual circuit hydraulic control, integrated boost assist and electronic brake force distribution (EBD)
<b>DIAMETER FRONT</b>	293 mm
<b>DIAMETER REAR</b>	293 mm
<b>PARK BRAKE</b>	203 mm diameter drum mounted on rear of transmission
<b>AUXILIARY BRAKE</b>	Vacuum controlled exhaust brake

STEERING	
<b>TYPE</b>	Power assisted rack and pinion
<b>GEAR RATIO</b>	20.9
<b>TURNS LOCK TO LOCK</b>	5.4
<b>WHEEL LOCK ANGLE</b>	43° (inside wheel) / 33° (outside wheel)

WHEELS & TYRES	
FRONT	<b>Wheels:</b> 17.5 x 6.00 six stud steel
	<b>Tyres:</b> 205/75R 17.5 124/122M Bridgestone Tubeless
	<b>Steer axle tyre rating:</b> 3,200 kg
REAR	<b>Wheels:</b> 17.5 x 6.00 six stud steel
	<b>Tyres:</b> 205/75R 17.5 124/122M Bridgestone Tubeless
	<b>Drive axle tyre rating:</b> 6,000 kg
SPARE	1 frame mounted spare wheel and tyre assembly

CHASSIS FRAME	
<b>TYPE</b>	Cold rivetted ladder frame. SAPH440 steel sidemembers. Parallel side rails and rivetless top flange.
<b>DIMENSIONS</b>	<b>Side rail (mm):</b> 216 x 70 x 6.0 <b>Rear frame width (mm):</b> 850

FUEL TANK	
<b>TYPE</b>	Frame mounted steel fuel tank
<b>CAPACITY</b>	140L
<b>FUEL CAP</b>	Lockable

ELECTRICAL SYSTEM	
<b>TYPE</b>	24 volt
<b>ALTERNATOR</b>	90 amp
<b>STARTER MOTOR</b>	4.0 kW
<b>BATTERY</b>	2 x 80D26L (630 CCA) batteries connected in series

CABIN GENERAL FEATURES	
<b>ENGINE ACCESS</b>	Manual cab tilt to 45° with torsion bar assistance
<b>STEPS</b>	Heavy duty anti-slip steps
<b>DOORS</b>	90° opening internally reinforced front doors
<b>MIRRORS</b>	Cab mounted convex mirrors with left side under view mirror
<b>WIPERS</b>	Two speed windscreen wipers with intermittent wipe mode
<b>EXTERIOR LIGHTING</b>	Multi-reflector halogen headlamps
	Roof mounted clearance lamps
<b>AUDIBLE WARNING</b>	Reverse alarm
<b>GRILLE</b>	Cabin coloured
<b>SECURITY</b>	Central locking with remote keyless entry and immobiliser

CABIN INTERIOR	
<b>SEATING</b>	Driver's bucket seat equipped with mechanical suspension and weight adjustment to 130 kg
	Front passenger bench seat with 2 seat capacity
<b>SEATBELTS</b>	3-point lap sash seatbelts in all outboard seating positions. Centre seat lap belts.
<b>STEERING COLUMN</b>	Tilt / telescopic adjustable
<b>ENTRY ASSIST GRIPS</b>	Door and roof pillar mounted
<b>DOOR WINDOWS</b>	Electric control
<b>STORAGE</b>	Overhead shelf
	Twin cup holders
	Front centre console box and storage tray
	Front door pockets
<b>POWER OUTLET</b>	24V cigarette lighter
<b>AIRCONDITIONING</b>	Manual control
<b>INTERIOR LIGHTING</b>	Fluorescent lamp

AUDIO VISUAL UNIT	
<b>SCREEN TYPE</b>	6.2" LCD with capacitive touch
<b>OPERATING SYSTEM</b>	Android
<b>RADIO</b>	AM/FM
<b>INTERNAL STORAGE CAPACITY</b>	32GB
<b>OTHER CAPABILITY</b>	Provision for external camera inputs, navigation, reverse sensors and tyre pressure monitoring

DRIVER CONTROLS	
<b>SAFETY SYSTEMS</b>	AEB on/off, DWS on/off/sensitivity adjust, LDW on/off/sensitivity adjust, TMW on/off, ESC&ASR on/off, headlamps and ALS on/off, HSA on/off/sensitivity adjust (MT only)
<b>ENGINE</b>	Idle speed control
	Cruise control
<b>TRANSMISSION (AMT ONLY)</b>	Slow/fast gear engagement control, 1st gear start and normal/economy gear selection modes
	Gear selection control with R-N-D and sequential shift positions
<b>GENERAL CONTROLS</b>	Windscreen wipers (2 speed and intermittent modes), washers, exhaust brake, turn signals
	Tip body raise and lower lever with safety release mechanism

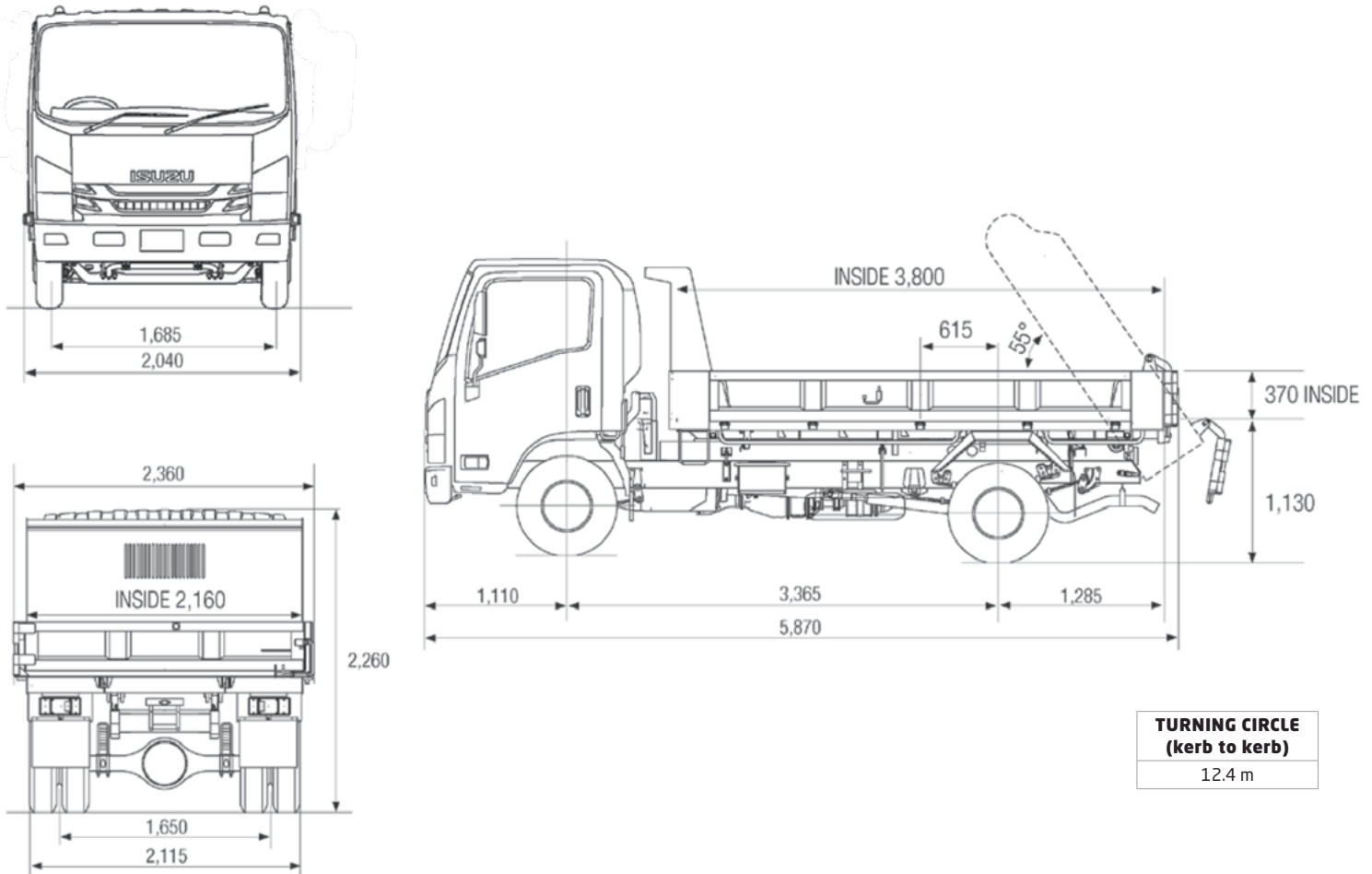
INSTRUMENTATION	
<b>MULTI INFORMATION DISPLAY</b>	AEB, FCW, DWS, LDW, TMW systems activation alerts
	CTW indicator
	Low engine oil level alert (activated when oil pan < 71% capacity)
	Vehicle systems status
	Low fuel level alert
	Fuel consumption information
	Service interval alerts
	Hourmeter
	Adjustable vehicle speed warning
	PTO engaged indicator
<b>GENERAL INSTRUMENTATION</b>	Speedometer and tachometer
	Digital odometer with integrated dual tripmeters
	Engine coolant temperature and fuel level gauges

# NPR 350/NPR 325 TIPPER

WEIGHTS (kg)							
MODELS	RATINGS*		LOADING LIMIT* (at ground)		WEIGHT #		
	GVM	GCM	FRONT	REAR	FRONT	REAR	TOTAL
NPR 350 / NPR 325 TIPPER	6,500 / 5,995	10,000	3,100	6,000	1,980	1,650	3,630

\* Vehicle ratings and front/rear weight limits are subject to government regulatory requirements and weight distribution analysis. Consult your Isuzu dealer to select the correct vehicle for your specific application.

# Vehicle as supplied and including 10 litres of fuel.



PERFORMANCE (calculated - typical paved road)				
		GEARED SPEED* (top gear at peak power engine rpm)	LOW SPEED GRADEABILITY (lowest forward gear assuming no wheel slip)	ENGINE SPEED (top gear at 90 km/h)
NPR 350 TIPPER	At 6,500 kg GVM	118 kmh @ 2,600 rpm	49%	1,996 rpm
NPR 350 AMT TIPPER	At 6,500 kg GVM	113 kmh @ 2,600 rpm	51%	2,073 rpm
NPR 325 TIPPER	At 5,995 kg GVM	118 kmh @ 2,600 rpm	53%	1,996 rpm
NPR 325 AMT TIPPER	At 5,995 kg GVM	113 kmh @ 2,600 rpm	55%	2,073 rpm

\* Maximum speed achievable depends on vehicle frontal area as well as other factors. Consult your Isuzu dealer for more detailed information.

ORDER CODES	
MODELS	CODES
NPR 350 TIPPER	NP2318
NPR 350 AMT TIPPER	NP2918
NPR 325 TIPPER	NP2718
NPR325 AMT TIPPER	NP2818

# Total 5 Year Warranty, including Base Warranty (36 months / 100,000kms) and Additional Warranty (24 months / 150,000kms), cover is 60 months or 250,000kms, whichever comes first. To qualify for Additional Warranty, all scheduled servicing during the Base and Additional Warranty periods (ie. the total 60 months) must be performed by an authorised Isuzu service dealer from the date of delivery to the first customer. If scheduled servicing is performed by unauthorized service providers, only the Base Warranty will apply. For VL24 NPR Tipper models, additional Warranty applies to the cab & chassis only. Tipper bodies are excluded from Additional Warranty. These are covered by Base Warranty only. Cab Perforation Corrosion is limited to 36 months / unlimited kms on all models. It is not included as part of Additional Warranty.

The information in this spec sheet was correct at time of printing, but all measurements, specifications and equipment are subject to change without notice. Some equipment may have been changed and/or is available at extra cost. Isuzu New Zealand (INZ) may make changes at any time without notice, in prices, colours, materials, equipment and models. INZ makes all reasonable attempts to ensure the availability of all vehicles and equipment. The information in this spec sheet is general in nature. Your Isuzu dealer can confirm all measurements, specifications and vehicle / equipment availability upon request. To the extent permitted by the law, INZ is not liable to any person as result of reliance on the content of this spec sheet.