

NPR 450 / NPR 425 NPR 450 CREW



WEIGHT RATINGS

GVM	7,500 / 5,995 kg
GCM *SINGLE CAB only	11,000 kg

ENGINE

POWER	140 kW @ 2,600 rpm
TORQUE	513 Nm @ 1,600 - 2,600 rpm

TRANSMISSION

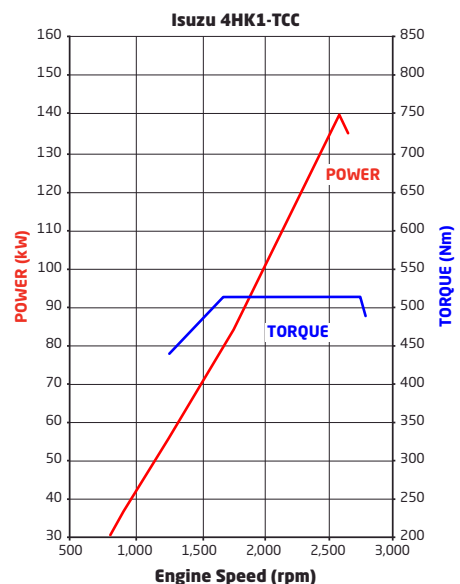
6 speed manual transmission (MT)
6 speed automated manual transmission (AMT)

* Refer to back page for detailed weight rating information

INTELLIGENT SAFETY		
ACTIVE SAFETY ADVANCED DRIVER ASSISTANCE SYSTEMS (ADAS)	Advanced Emergency Braking	(AEB)
	Forward Collision Warning	(FCW)
	Distance Warning System	(DWS)
	Lane Departure Warning	(LDW)
	Traffic Movement Warning	(TMW)
	Electronic Stability Control	(ESC)
	Anti Skid Regulator	(ASR)
	Anti Lock Braking System	(ABS)
	Customisable Speed Limiter	(CSL)
	Hill Start Aid (MT only)	(HSA)
	Automatic Lighting System (Front and Rear)	(ALS)
Cab Tilt Warning (Single cab only)	(CTW)	
PASSIVE SAFETY CABIN OCCUPANT SAFETY SYSTEMS (COSS)	Driver and front passenger airbags	
	Driver and front left hand passenger seatbelt pretensioners	
	ECE-R29 cab with side anti-intrusion beams	
	Handsfree functions on steering wheel	
	Door mounted cornering lamps	

ISUZU WARRANTY COVER	
WARRANTY	5 Year / 250,00 km Warranty#

ENGINE	
DESCRIPTION	Isuzu 4HK1-TCC
TYPE	4 cylinder 16 valve SOHC
DISPLACEMENT	5,193 cc
COMPRESSION RATIO	17.5:1
BORE X STROKE	115 mm x 125 mm
POWER	140 kW (190PS) @ 2,600 rpm (DIN NET)
TORQUE	513 Nm @ 1,600 - 2,600 rpm (DIN NET)
INDUCTION	Electronically controlled variable nozzle turbocharger with air-to-air intercooler
FUEL INJECTION	Direct injection high pressure common rail
EMISSION CONTROL	Cooled EGR with exhaust Diesel Oxidation Catalyst (DOC). ADR 80/03 (Euro V) compliant.



CLUTCH	
MT	Type: Single plate with auto adjusting hydraulic control and vacuum assistance
	Clutch Plate Diameter: 325 mm
	Clutch lining area: 966 cm ²
AMT	Type: Fully automated electro/hydraulically controlled wet clutch and fluid coupling with lock up

TRANSMISSION														
MT	Description: Isuzu MZZ-6F													
	Type: 6 speed manual. Syncromesh on gears 1-6.													
	Ratios:													
	<table border="1"> <thead> <tr> <th>1ST</th> <th>2ND</th> <th>3RD</th> <th>4TH</th> <th>5TH</th> <th>6TH</th> <th>REV</th> </tr> </thead> <tbody> <tr> <td>6.369</td> <td>3.767</td> <td>1.966</td> <td>1.355</td> <td>1.000</td> <td>0.782</td> <td>6.369</td> </tr> </tbody> </table>	1ST	2ND	3RD	4TH	5TH	6TH	REV	6.369	3.767	1.966	1.355	1.000	0.782
1ST	2ND	3RD	4TH	5TH	6TH	REV								
6.369	3.767	1.966	1.355	1.000	0.782	6.369								
	Power Take Off facility: Provision on LHS of transmission case. Drive from counter gear.													
AMT	Description: Isuzu MZZ-6F													
	Type: 6 speed with both fully automatic and clutchless manual operation modes													
	Ratios:													
	<table border="1"> <thead> <tr> <th>1ST</th> <th>2ND</th> <th>3RD</th> <th>4TH</th> <th>5TH</th> <th>6TH</th> <th>REV</th> </tr> </thead> <tbody> <tr> <td>6.369</td> <td>3.767</td> <td>1.966</td> <td>1.355</td> <td>1.000</td> <td>0.782</td> <td>6.369</td> </tr> </tbody> </table>	1ST	2ND	3RD	4TH	5TH	6TH	REV	6.369	3.767	1.966	1.355	1.000	0.782
1ST	2ND	3RD	4TH	5TH	6TH	REV								
6.369	3.767	1.966	1.355	1.000	0.782	6.369								
	Power Take Off facility: Provision on LHS of transmission case. Drive from counter gear.													

AXLES	
FRONT	Description: Isuzu F031
	Type: Reverse Elliot I-beam
	Capacity: 3,100 kg
REAR	Description: Isuzu R066
	Type: Full floating banjo with four differential pinions
	Capacity: 6,600 kg
	Ratio: 3.909 (MT) 4.100 (AMT)

SUSPENSION	
FRONT	Single cab: Single stage alloy steel taper leaf springs Crew cab: Single stage alloy steel multi leaf springs
	Double acting hydraulic shock absorbers. Stabiliser bar.
REAR	Multi leaf main, multi leaf helper spring
	Double acting hydraulic shock absorbers. Stabiliser bar.

BRAKES	
TYPE	Ventilated disc/disc with dual circuit hydraulic control, integrated boost assist and electronic brake force distribution (EBD)
DIAMETER FRONT	310 mm
DIAMETER REAR	310 mm
PARK BRAKE	203 mm diameter drum mounted on rear of transmission
AUXILIARY BRAKE	Vacuum controlled exhaust brake

STEERING	
TYPE	Power assisted recirculating ball
GEAR RATIO	20.9
TURNS LOCK TO LOCK	5.4
WHEEL LOCK ANGLE	43.00° (inside wheel) 33.00° (outside wheel)

WHEELS & TYRES	
FRONT	Wheels: 17.5 x 6.00 six stud steel
	Tyres: 215/75 R17.5 126/124M Bridgestone Tubeless
	Steer axle tyre rating: 3,400 kg
REAR	Wheels: 17.5 x 6.00 six stud steel
	Tyres: 215/75 R17.5 126/124M Bridgestone Tubeless
	Drive axle tyre rating: 6,400 kg
SPARE	1 frame mounted spare wheel and tyre assembly

CHASSIS FRAME	
TYPE	Cold rivetted ladder frame. SAPH440 steel sidemembers. Parallel side rails and rivetless top flange.
DIMENSIONS	Side rail (mm): 216 x 70 x 6.0 Rear frame width (mm): 850

FUEL TANK	
TYPE	Frame mounted steel fuel tank
CAPACITY	140L
FUEL CAP	Lockable

ELECTRICAL SYSTEM	
TYPE	24 volt
ALTERNATOR	90 amp
STARTER MOTOR	4.0 kW
BATTERY	2 x 80D26L (630 CCA) batteries connected in series

CABIN GENERAL FEATURES	
ENGINE ACCESS	Single cab: Manual cab tilt to 45° with torsion bar assistance Crew cab: Access hatch under driver's seat and tiltable front passenger seat
STEPS	Heavy duty anti-slip steps
DOORS	90° opening internally reinforced front doors
MIRRORS	Cab mounted convex mirrors with left side under view mirror
WIPERS	Two speed windscreen wipers with intermittent wipe mode
EXTERIOR LIGHTING	Multi-reflector halogen headlamps
	Roof mounted clearance lamps
	Front foglamps
AUDIBLE WARNING	Reverse alarm
GRILLE	Cabin colour
SECURITY	Central locking with remote keyless entry and immobiliser

INSTRUMENTATION	
MULTI INFORMATION DISPLAY	AEB, FCW, DWS, LDW, TMW systems activation alerts
	Single cab: CTW indicator
	Low engine oil level alert (activated when oil pan < 71% capacity)
	Vehicle systems status
	Low fuel level alert
	Fuel consumption information
	Service interval alerts
GENERAL INSTRUMENTATION	Hourmeter
	Adjustable vehicle speed warning
	Speedometer and tachometer
	Digital odometer with integrated dual tripmeters
	Engine coolant temperature and fuel level gauges

CABIN INTERIOR	
SEATING	Single cab: Driver's bucket seat equipped with mechanical suspension and weight adjustment to 130 kg Crew cab: Driver's bucket seat
	Front passenger bench seat with 2 seat capacity
	Crew cab: Rear bench seat with 4 seat capacity
SEATBELTS	3-point lap sash seatbelts in all outboard seating positions. Centre seat lap belts.
STEERING COLUMN	Tilt/telescopic adjustable
ENTRY ASSIST GRIPS	Door and roof pillar mounted
	Crew cab: Full width rear grab rail
DOOR WINDOWS	Electric control
STORAGE	Overhead shelf
	Twin cup holders
	Front centre console box and storage tray
	Front door pockets
POWER OUTLET	24V cigarette lighter
AIRCONDITIONING	Manual control
INTERIOR LIGHTING	Single cab: Fluorescent lamp Crew cab: Standard lamp



Crew cabin rear

AUDIO VISUAL UNIT	
SCREEN TYPE	6.2" LCD with capacitive touch
OPERATING SYSTEM	Android
RADIO	AM/FM
INTERNAL STORAGE CAPACITY	32GB
OTHER CAPABILITY	Provision for external camera inputs, navigation, reverse sensors and tyre pressure monitoring



DRIVER CONTROLS	
SAFETY SYSTEMS	AEB on/off, DWS on/off/sensitivity adjust, LDW on/off/sensitivity adjust, TMW on/off, ESC & ASR on/off, headlamps and ALS on/off, HSA on/off/sensitivity adjust (MT only)
ENGINE	Idle speed control
	Cruise control
TRANSMISSION (AMT ONLY)	Slow/fast gear engagement control, 1st gear start and normal/economy gear selection modes
	Gear selection control with R-N-D and sequential shift positions
GENERAL CONTROLS	Windscreen wipers (2 speed and intermittent modes), washers, exhaust brake, turn signals



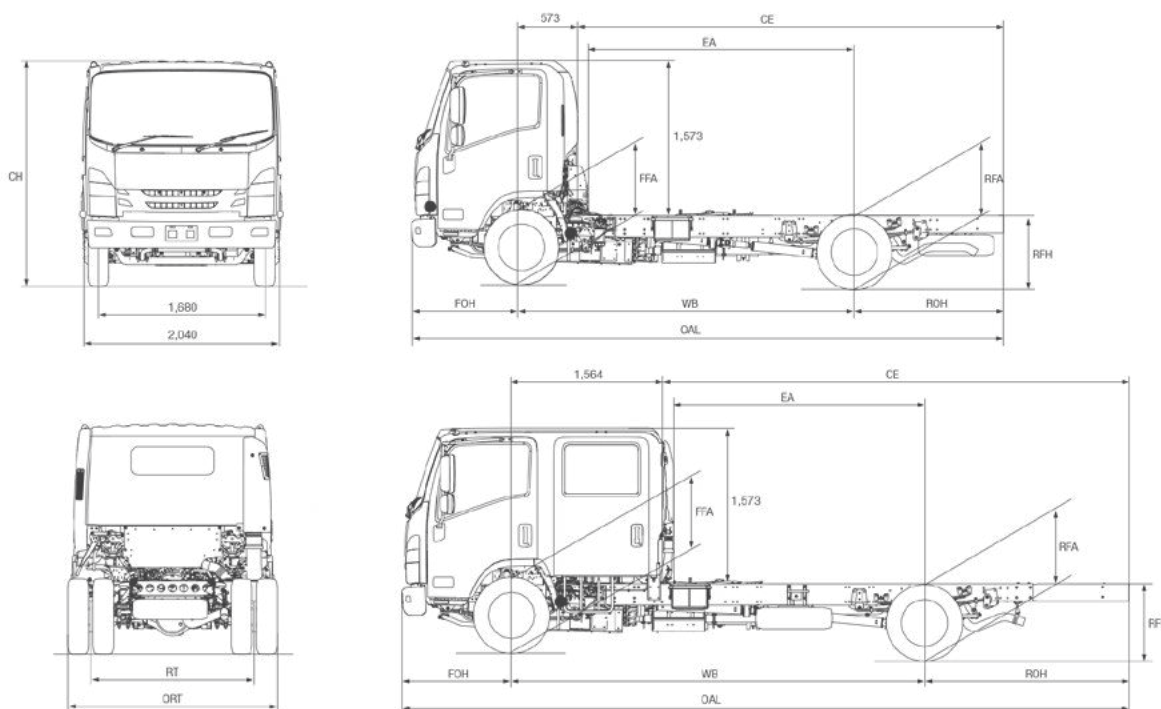
AMT model shown

WEIGHTS (kg)							
MODELS	RATINGS*		LOADING LIMIT* (at ground)		CAB CHASSIS WEIGHT #		
	GVM	GCM	FRONT	REAR	FRONT	REAR	TOTAL
NPR 450 / NPR 425	7,500 / 5,995	11,000	3,100	6,400	1,780	870	2,650
NPR 450 / NPR 425 AMT	7,500 / 5,995	11,000	3,100	6,400	1,780	870	2,650
NPR 450L / NPR425L	7,500 / 5,995	11,000	3,100	6,400	1,820	910	2,730
NPR 450L / NPR425L AMT	7,500 / 5,995	11,000	3,100	6,400	1,820	910	2,730
NPR 450 CREW	7,500	11,000	3,100	6,400	2,010	965	2,975
NPR 450 AMT CREW	7,500	11,000	3,100	6,400	2,010	965	2,975

* Vehicle ratings and axle weight limits are subject to government regulatory requirements and weight distribution analysis. Consult your Isuzu dealer to select the correct vehicle for your specific application.

Cab chassis only as supplied and including 10 litres of fuel.

DIMENSIONS (mm)													(m)
MODELS	WB	OAL	FOH	ROH	EA	CE	RT	ORT	CH	FFA (unladen)	RFA (unladen)	RFH (unladen)	TURNING CIRCLE kerb to kerb
NPR 450 / NPR 425	3,365	5,985	1,100	1,510	2,680	4,302	1,650	2,115	2,270	675	790	830	12.4
NPR 450L / NPR 425L	4,175	7,338	1,100	2,053	3,490	5,655	1,650	2,115	2,270	675	790	845	15.3
NPR 450 CREW	4,175	7,338	1,100	2,053	2,510	4,654	1,650	2,115	2,270	660	800	860	15.3



PERFORMANCE (calculated - typical paved road)				
		GEARED SPEED* (top gear at peak power engine rpm)	LOW SPEED GRADEABILITY (lowest forward gear assuming no wheel slip)	ENGINE SPEED (top gear at 90 km/h)
NPR 450	At 7,500 kg GVM	118 km/h @ 2,600 RPM	41%	1,944 rpm
NPR 450 AMT	At 7,500 kg GVM	113 km/h @ 2,600 RPM	43%	2,039 rpm

* Maximum speed achievable depends on vehicle frontal area as well as other factors. Consult your Isuzu dealer for more detailed information.

ORDER CODES	
MODELS	CODES
450 / NPR 425	NP1318 / NP2118
NPR 450 AMT / NPR 425 AMT	NP1418 / NP2218
NPR 450L AMT / NPR425L AMT	NP1618 / NP2618
NPR 450L / NPR425L	NP1518 / NP2518
NPR 450 CREW	NP3218
NPR 450 AMT CREW	NP3318

Total 5 Year Warranty, including Base Warranty (36 months / 100,000kms) and Additional Warranty (24 months / 150,000kms), cover is 60 months or 250,000kms, whichever comes first. To qualify for Additional Warranty, all scheduled servicing during the Base and Additional Warranty periods (ie. the total 60 months) must be performed by an authorised Isuzu service dealer from the date of delivery to the first customer. If scheduled servicing is performed by unauthorised service providers, only the Base Warranty will apply. For VL24 NPR Tipper models, additional Warranty applies to the cab & chassis only. Tipper bodies are excluded from Additional Warranty. These are covered by Base Warranty only. Cab Perforation Corrosion is limited to 36 months / unlimited kms on all models. It is not included as part of Additional Warranty. The information in this spec sheet was correct at time of printing, but all measurements, specifications and equipment are subject to change without notice. Some equipment may have been changed and/or is available at extra cost. Isuzu New Zealand (INZ) may make changes at any time without notice, in prices, colours, materials, equipment and models. INZ makes all reasonable attempts to ensure the availability of all vehicles and equipment. The information in this spec sheet is general in nature. Your Isuzu dealer can confirm all measurements, specifications and vehicle / equipment availability upon request. To the extent permitted by the law, INZ is not liable to any person as result of reliance on the content of this spec sheet.