

## NPS 450 / NPS 425 4X4 NPS 450 / NPS 425 4X4 CREW



### WEIGHT RATINGS

<b>GVM</b>	7,500 / 5,995 kg
<b>GCM</b>	11,000 kg

### ENGINE

<b>POWER</b>	114 kW @ 2,600 rpm
<b>TORQUE</b>	419 Nm @ 1,600 - 2,600 rpm

### TRANSMISSION

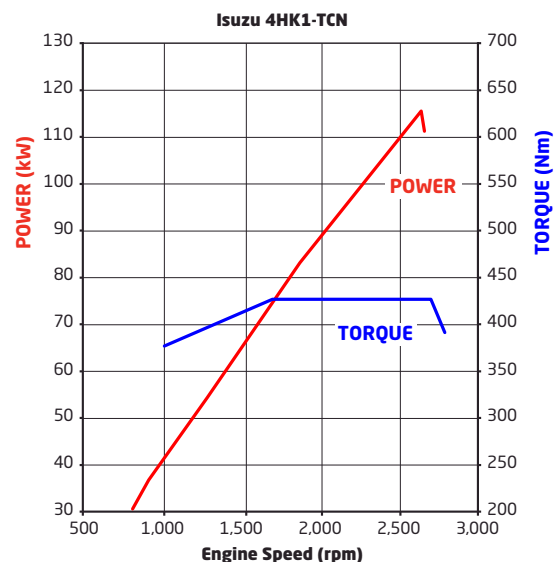
5 speed manual transmission (MT)

\* Refer to back page for detailed weight rating information

INTELLIGENT SAFETY		
<b>ACTIVE SAFETY</b>	Anti Lock Braking System (active in high range)	(ABS)
	Customisable Speed Limiter	(CSL)
	Hill Start Aid	(HSA)
	Automatic Lighting System (Front and Rear)	(ALS)
	Cab Tilt Warning (single cab only)	(CTW)
<b>PASSIVE SAFETY CABIN OCCUPANT SAFETY SYSTEMS (COSS)</b>	Driver and front passenger airbags	
	Driver and front left hand passenger seatbelt pretensioners	
	ECE-R29 cab with side anti-intrusion beams	
	Handsfree functions on steering wheel	
	Door mounted cornering lamps	

ISUZU WARRANTY COVER	
<b>WARRANTY</b>	3 Year / 150,00 km Warranty#

ENGINE	
<b>DESCRIPTION</b>	Isuzu 4HK1-TCN
<b>TYPE</b>	4 cylinder 16 valve SOHC
<b>DISPLACEMENT</b>	5,193 cc
<b>COMPRESSION RATIO</b>	17.5:1
<b>BORE X STROKE</b>	115mm x 125mm
<b>POWER</b>	114kW (155PS) @ 2,600 rpm (DIN NET)
<b>TORQUE</b>	419Nm @ 1,600 - 2,600 rpm (DIN NET) (torque limited to 377Nm when in low range first or reverse gear)
<b>INDUCTION</b>	Electronically controlled variable nozzle turbocharger with air-to-air intercooler
<b>FUEL INJECTION</b>	Direct injection high pressure common rail
<b>EMISSION CONTROL</b>	Cooled EGR with exhaust Diesel Oxidation Catalyst (DOC). ADR 80/03 (Euro V) compliant.



CLUTCH	
MT	<b>Type:</b> Single plate with auto adjusting hydraulic control and vacuum assistance
	<b>Clutch Plate Diameter:</b> 325 mm
	<b>Clutch lining area:</b> 966 cm <sup>2</sup>

TRANSMISSION												
MT	<b>Description:</b> Isuzu MYY-5A											
	<b>Type:</b> 5 speed manual. Syncromesh on gears 1-5.											
	<b>Ratios:</b>											
	<table border="1"> <thead> <tr> <th>1ST</th> <th>2ND</th> <th>3RD</th> <th>4TH</th> <th>5TH</th> <th>REV</th> </tr> </thead> <tbody> <tr> <td>5.315</td> <td>2.908</td> <td>1.558</td> <td>1.000</td> <td>0.721</td> <td>5.068</td> </tr> </tbody> </table>	1ST	2ND	3RD	4TH	5TH	REV	5.315	2.908	1.558	1.000	0.721
1ST	2ND	3RD	4TH	5TH	REV							
5.315	2.908	1.558	1.000	0.721	5.068							
TRANSFER GEARBOX	<b>Power Take Off facility:</b> Provision on LHS of transmission case. Drive from counter gear.											
	<b>Type:</b> Part time 4WD											
	<b>Ratio:</b> High: 1.00, Low: 1.842											

AXLES	
FRONT	<b>Description:</b> Isuzu FD031
	<b>Type:</b> Full floating Banjo with Birfield outer joints
	<b>Hub locking:</b> Manual
	<b>Capacity:</b> 3,100 kg
REAR	<b>Description:</b> Isuzu R066
	<b>Type:</b> Full floating banjo with four pinion limited slip differential
	<b>Capacity:</b> 6,600 kg
	<b>Ratio:</b> 5.571

SUSPENSION	
FRONT	Single stage alloy steel multi leaf springs
	Double acting hydraulic shock absorbers. Stabiliser bar.
REAR	Multi leaf main, multi leaf helper spring
	Double acting hydraulic shock absorbers

BRAKES	
<b>TYPE</b>	Drum brakes with dual circuit hydraulic control, hydraulic pressure assistance and load sensing proportioning valve
<b>DIAMETER X WIDTH FRONT</b>	320 x 100mm
<b>DIAMETER X WIDTH REAR</b>	320 x 100mm
<b>PARK BRAKE</b>	190 mm diameter drum mounted on rear of transmission
<b>AUXILIARY BRAKE</b>	Vacuum controlled exhaust brake

STEERING	
<b>TYPE</b>	Power assisted rack and pinion
<b>TURNS LOCK TO LOCK</b>	3.7
<b>WHEEL LOCK ANGLE</b>	38° (inside wheel) / 30° (outside wheel)

WHEELS & TYRES	
FRONT	<b>Wheels:</b> 17.5 x 6.00 six stud steel wheels
	<b>Tyres:</b> 225 / 80R17.5 123 / 122L Bridgestone L330 Tubeless
	<b>Steer axle tyre rating:</b> 3,100 kg
REAR	<b>Wheels:</b> 17.5 x 6.00 six stud steel wheels
	<b>Tyres:</b> 225 / 80R17.5 123 / 122L Bridgestone L330 Tubeless
	<b>Drive axle tyre rating:</b> 6,000 kg
SPARE	1 frame mounted spare wheel and tyre assembly

CHASSIS FRAME	
<b>TYPE</b>	Cold rivetted ladder frame. SAPH440 steel sidemembers. Parallel side rails and rivetless top flange.
<b>DIMENSIONS</b>	<b>Side rail (mm):</b> 216 x 70 x 6.0 <b>Rear frame width (mm):</b> 850

FUEL TANK	
<b>TYPE</b>	Frame mounted steel fuel tank
<b>CAPACITY</b>	140L
<b>FUEL CAP</b>	Lockable

ELECTRICAL SYSTEM	
<b>TYPE</b>	24 volt
<b>ALTERNATOR</b>	90 amp
<b>STARTER MOTOR</b>	4.0 kW
<b>BATTERY</b>	2 x 80D26L (630 CCA) batteries connected in series

CABIN GENERAL FEATURES	
<b>ENGINE ACCESS</b>	<b>Single cab:</b> manual cab tilt to 45° with torsion bar assistance <b>Crew cab:</b> access hatch under driver's seat and tiltable front passenger seat
<b>STEPS</b>	Heavy duty anti-slip steps
<b>DOORS</b>	90° opening internally reinforced front doors
<b>MIRRORS</b>	Cab mounted convex mirrors with left side under view mirror
<b>WIPERS</b>	Two speed windscreen wipers with intermittent wipe mode
<b>EXTERIOR LIGHTING</b>	Multi-reflector halogen headlamps
	Roof mounted clearance lamps
<b>AUDIBLE WARNING</b>	Reverse alarm
<b>GRILLE</b>	Cabin coloured
<b>SECURITY</b>	Central locking with remote keyless entry and immobiliser

CABIN INTERIOR	
<b>SEATING</b>	<b>Single cab:</b> driver's bucket seat equipped with mechanical suspension and weight adjustment to 130 kg <b>Crew cab:</b> driver's bucket seat
	Front passenger bench seat with 2 seat capacity
	<b>Crew cab:</b> rear bench seat with 4 seat capacity
	<b>Crew cab:</b> rear bench seat with 3 seat capacity
<b>SEATBELTS</b>	3-point lap sash seatbelts in all outboard seating positions. Centre seat lap belts.
<b>STEERING COLUMN</b>	Tilt/telescopic adjustable
<b>ENTRY ASSIST GRIPS</b>	Door and roof pillar mounted
	<b>Crew cab:</b> full width rear grab rail
<b>DOOR WINDOWS</b>	Electric control
<b>STORAGE</b>	Overhead shelf
	Twin cup holders
	Front centre console box and storage tray
	Front door pockets
<b>POWER OUTLET</b>	24V cigarette lighter
<b>AIRCONDITIONING</b>	Manual control
<b>INTERIOR LIGHTING</b>	<b>Single cab:</b> Fluorescent lamp <b>Crew cab:</b> Standard lamp

AUDIO VISUAL UNIT	
<b>SCREEN TYPE</b>	6.2" LCD with capacitive touch
<b>OPERATING SYSTEM</b>	Android
<b>RADIO</b>	AM / FM
<b>INTERNAL STORAGE CAPACITY</b>	32GB
<b>OTHER CAPABILITY</b>	Provision for external camera inputs, navigation, reverse sensors and tyre pressure monitoring

DRIVER CONTROLS	
<b>SAFETY SYSTEMS</b>	Headlamps and ALS on/off, HSA on/off/sensitivity adjust (MT only)
<b>ENGINE</b>	Idle speed control
	Cruise control
<b>GENERAL CONTROLS</b>	Windscreen wipers (2 speed and intermittent modes), washers, exhaust brake, turn signals, high/low range and 4WD engage switches

INSTRUMENTATION	
<b>MULTI INFORMATION DISPLAY</b>	<b>Single cab:</b> CTW indicator
	Low engine oil level alert (activated when oil pan < 66% capacity)
	Vehicle systems status
	Low fuel level alert
	Fuel consumption information
	Service interval alerts
	Hourmeter
	Adjustable vehicle speed warning
<b>GENERAL INSTRUMENTATION</b>	Speedometer and tachometer.
	Digital odometer with integrated dual tripmeters
	Engine coolant temperature and fuel level gauges

# NPS 450/NPS 425 4X4 NPS 450/NPS 425 4X4 CREW

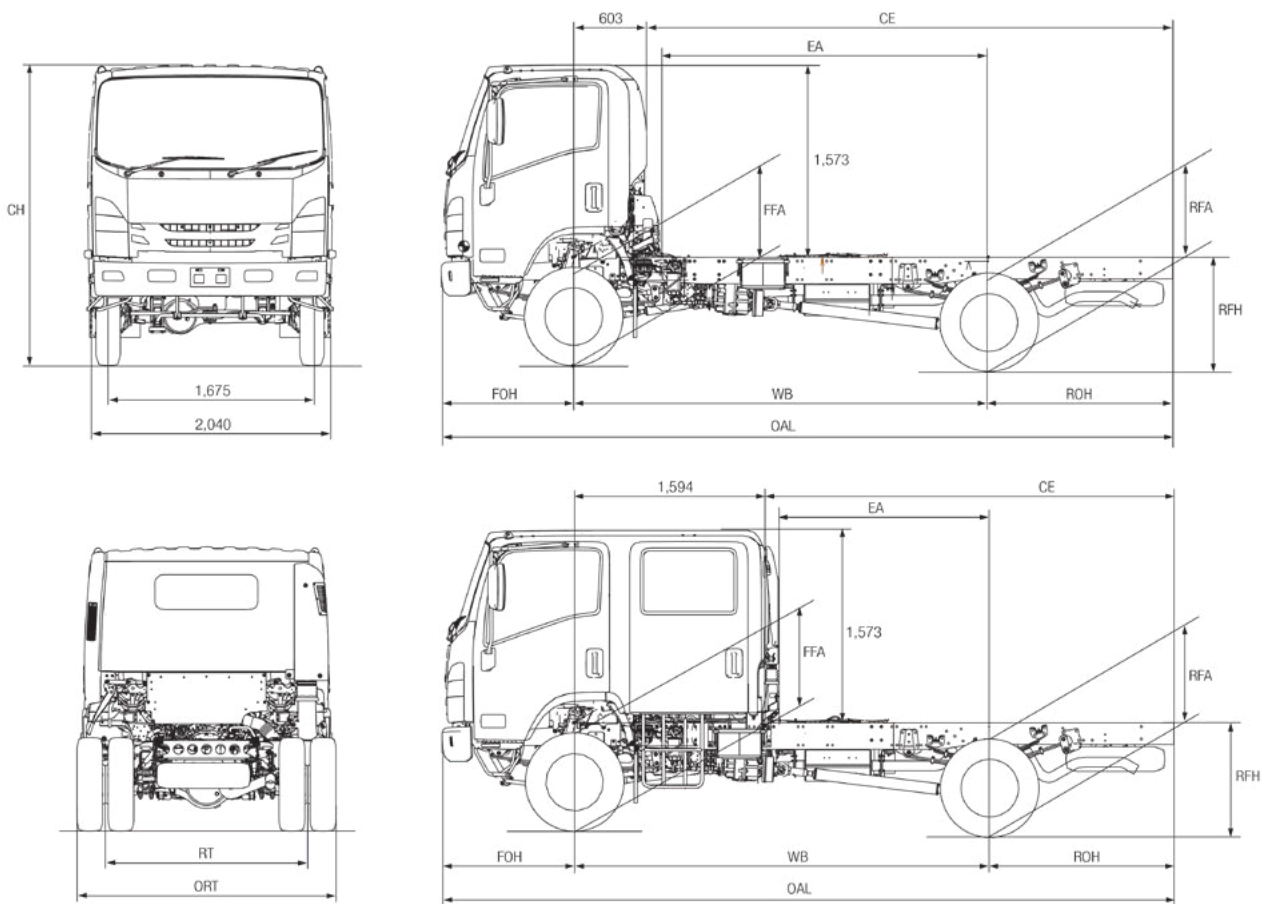
# ISUZU TRUCKS

WEIGHTS (kg)							
MODELS	RATINGS*		LOADING LIMIT* (at ground)		CAB CHASSIS WEIGHT #		
	GVM	GCM	FRONT	REAR	FRONT	REAR	TOTAL
NPS 450 / NPS 425 4X4	7,500 / 5,995	11,000	3,100	6,000	1,960	970	2,930
NPS 450 NPS 425 4X4 CREW	7,500 / 5,995	11,000	3,100	6,000	2,100	1,070	3,170

\* Vehicle ratings and axle weight limits are subject to government regulatory requirements and weight distribution analysis. Consult your Isuzu dealer to select the correct vehicle for your specific application.

# Cab chassis only as supplied and including 10 litres of fuel.

DIMENSIONS (mm)													(m)
MODELS	WB	OAL	FOH	ROH	EA	CE	RT	ORT	CH	FFA (unladen)	RFA (unladen)	RFH (unladen)	TURNING CIRCLE kerb to kerb
NPS 450 / NPS 425 4X4	3,395	5,985	1,080	1,510	2,710	4,332	1,650	2,120	2,490	850	940	975	13.6
NPS 450 / NPS 425 4X4 CREW	3,395	5,985	1,080	1,510	1,730	3,331	1,650	2,120	2,490	850	950	980	13.6



PERFORMANCE (calculated - typical paved road)				
		GEARED SPEED* (top gear at peak power engine rpm)	LOW SPEED GRADEABILITY (lowest forward gear assuming no wheel slip)	ENGINE SPEED (top gear at 90 km/h)
NPS 425 4X4	At 5,995 kg GVM	95 km/h @ 2,600 rpm	> 100%	2,432 rpm
NPS 450 4X4	At 7,500 kg GVM	95 km/h @ 2,600 rpm	62%	2,432 rpm

\* Maximum speed achievable depends on vehicle frontal area as well as other factors. Consult your Isuzu dealer for more detailed information.

ORDER CODES	
MODELS	CODES
NPS 450 4X4	NP1815
NPS 425 4X4	NP1715
NPS 450 4X4 CREW	NP2015
NPS 425 AMT 4X4 CREW	NP1915

# 3 Year Warranty (36 months / 100,000kms) cover is 36 months or 100,000kms, whichever comes first. Cab Perforation Corrosion is limited to 36 months / unlimited kms on all models.

The information in this spec sheet was correct at time of printing, but all measurements, specifications and equipment are subject to change without notice. Some equipment may have been changed and/or is available at extra cost. Isuzu New Zealand (INZ) may make changes at any time without notice, in prices, colours, materials, equipment and models. INZ makes all reasonable attempts to ensure the availability of all vehicles and equipment. The information in this spec sheet is general in nature. Your Isuzu dealer can confirm all measurements, specifications and vehicle / equipment availability upon request. To the extent permitted by the law, INZ is not liable to any person as result of reliance on the content of this spec sheet.