



All images displayed in this document are for illustrative purposes only.

Specification Guide

FSR 140.24 / 120.24

FSD 140.24 / 120.24

Weight Rating

GVM 14,000 / 12,000 kg

GCM 17,500 / 15,500 kg

Engine

Power 177 kW @ 2,400 rpm

Torque 765 Nm @ 1,600 rpm

Transmission

6 speed manual transmission (MT)

6 speed automated manual transmission (AM)

Wheelbase

5,320 mm

5,560 mm

Key Features

- ADR 80/04 (Euro VI) Compliant
- Advanced Emergency Braking (AEB)
- Lane Departure Warning (LDW)
- Full Speed Adaptive Cruise Control (FACC)
- Electronic Stability Control (ESC)
- ECE-R29 cab with side anti-intrusion beams
- Isri 6860/875 NTS2 Air Suspension Driver's Seat
- Bi-LED Headlamps with Daytime Running Lamps

NOTE: This spec sheet is indicative only - certain specifications still to be confirmed.

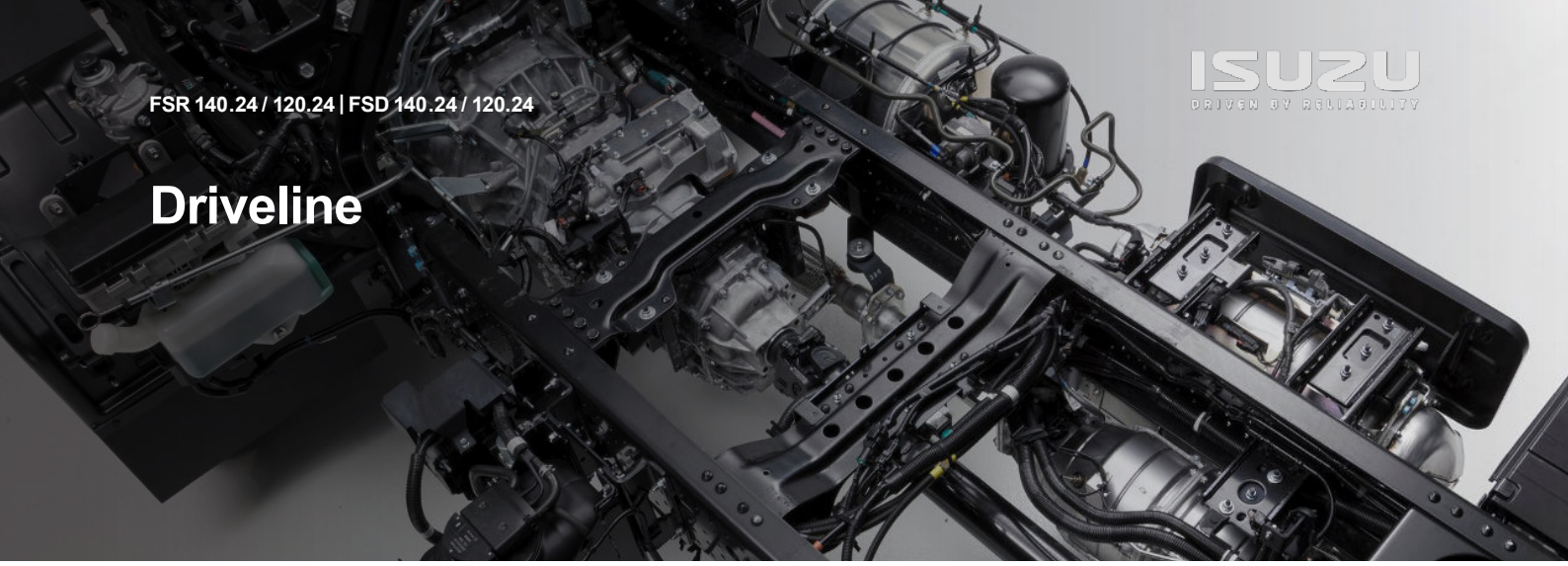


Truck Finder

Scan to search, view and download full spec sheets for all Isuzu truck models.

ISUZU
TRUCKS

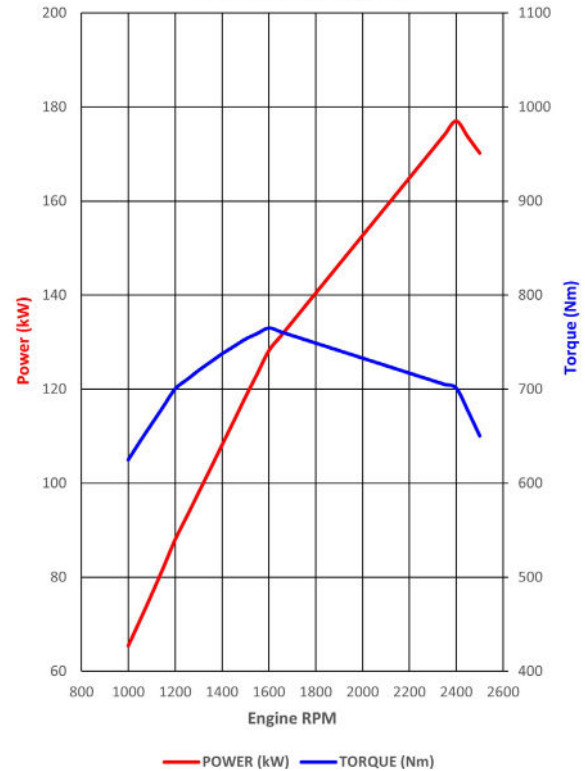
Driveline



Engine

Description	Isuzu 4HK1-TCH
Type	4 cylinder
Power	177 kW (240PS) @ 2,400 rpm
Torque	765 Nm @ 1,600 rpm
Displacement	5,193 cc
Bore x Stroke	115 mm x 125 mm
Induction	Low pressure turbocharger and high pressure Variable Geometry System (VGS) turbocharger sequentially operated and with air-to air intercooler.
Fuel Injection	Direct injection high pressure common rail system
Emission Standard	ADR 80/04 (pPNLT) compliant
Emission Control	SCR (Selective Catalytic Reduction) DPD (Diesel Particulate Diffuser) EGR (Exhaust Gas Recirculation)
Auxiliary Brake	Air controlled exhaust brake

N-4HK1 240PS pPNLT



Transmission

	Description: ISUZU MZW-6P							
	Type: Manual Transmission							
	Ratios:							
MT	1	2	3	4	5	6	REV	
	6.61	4.09	2.35	1.53	1.00	0.72	6.61	
	Power Take Off Facility: Provision on LHS of transmission case.							
	Description: ISUZU MZW-6P AMT							
	Type: Automated Manual Transmission							
	Ratios:							
AT	1	2	3	4	5	6	REV	
	6.61	4.09	2.35	1.53	1.00	0.72	6.61	
	Power Take Off Facility: Provision on LHS of transmission case. PTO drive from mainshaft gear.							

Clutch

MT	Type: Single plate
	Clutch Plate Diameter: 381 mm

Technology & Equipment

Intelligent Safety

ACTIVE DRIVER ASSISTANCE SYSTEMS (ADAS)^	Advanced Emergency Braking (AEB)
	Adaptive Driving Beam (ADB)
	Anti Lock Braking System (ABS)
	Anti Skid Regulator (ASR)
	Attention Alert System (AAS)
	Auto Lighting System (ALS)
	Cab Tilt Warning (CTW)
	Customisable Speed Limiter (CSL)
	Distance Warning System (DWS)
	Electronic Stability Control (ESC)
	Forward Collision Warning (FCW)
	Full Speed Adaptive Cruise Control (FACC)**
	Intelligent Speed Limiter (ISL)
	Lane Departure Warning (LDW)
Traffic Movement Warning (TMW)	
Traffic Sign Recognition (TSR)	
PASSIVE SAFETY CABIN OCCUPANT SAFETY SYSTEMS (COSS)	Door Mounted Cornering Lamps
	Driver and Front Left Hand Passenger Seatbelt Pretensioners
	Driver and Front Passenger Airbags
	ECE-R29 Cab with Side Anti-Intrusion Beams
	Overhead storage compartments with doors.

**Automated Manual Transmission only

Accessories

Protection	Isuzu Genuine Bull Bar*	●
	Isuzu Seat Covers	●
	Isuzu Floor Mats	●
	Isuzu Dash Mats	●
	Isuzu Weathershields	●
	Isuzu Mudflaps	●
Technology	Isuzu Cameras	●
Aerodynamics	Air Deflectors	●
	Warning Triangles	●
Safety	Wheel Nut Indicators	●
	Signage	●

* Expected to be available October 2025

● Fitted as Standard ● Option to Fit

Some options are provided via 3rd party retailer. Please discuss with your local Isuzu dealer.

Cabin Features

General Features

Engine Access	Manual cab tilt to 45° with torsion bar assistance
Steps	Heavy duty anti slip steps
Doors	70° opening internally reinforced front doors
Mirrors	Heated & powered exterior main mirrors with flat glass and additional independently adjustable convex “spot” mirrors
Wipers	Auto windshield wiper system, wet wipers
Exterior Lighting	BI-LED Headlamps with Adaptive Driving Beam (ADB) and Daytime Running Lamps
	Roof mounted clearance lamps
	Front LED foglamps LED tail lamps
Audible Warning	Reverse alarm
Front Bumper	3-piece resin, body coloured
Security	Passive Entry and Start System (PESS) with remote central locking and immobiliser

Premium Isuzu Audio Visual Unit

Connectivity	Bluetooth
	USB socket
	WiFi with over-the-air updates
	Input for up to 6 High Definition (HD) cameras (available accessory)
Radio	AM / FM
Screen Type	8” High Definition with capacitive touch
Smartphone Integration +	Wireless Apple CarPlay®
	Wireless Android Auto™
	Wi-Fi connectivity
Navigation	Provided via smartphone application

CarPlay is a trademark of Apple Inc.
Android Auto is a trademark of Google LLC.



Cabin Interior

Air Conditioning	Auto control
Door Windows	Electric control
Entry Assist Grips	Door and roof pillar mounted
Interior Lighting	LED door open lamp. Bright LED room lamp
Power Outlet	24V cigarette lighter
Seatbelts	3-point lap sash seatbelts in all outboard seating positions. Centre seat lap belts.
Seating	Isri 6860/875 NTS2 air suspension driver's seat with heating and ventilation
	LH passenger bucket seat, plus centre seat with folding seat back and storage compartment.
Steering Column	Tilt / telescopic adjustable
Storage	Overhead compartments, two cup holders, front door pockets.

Driver Control

Engine	Full speed adaptive cruise control**
	DPD manual regeneration switch
	Idle speed control
General Controls	Auto windshield wiper system, wet wipers, washers, engine brake and turn signals
Safety Systems	AEB on/off, DWS on/off/sensitivity adjust, LDW on/off/sensitivity adjust, TMW on/off, ESC&ASR on off, headlamps and ALS on/off.
Steering Wheel Controls	Multi Information Display controls
	Audio Visual volume control
	Audio Visual seek controls
	Phone control ADAS controls

**Automated Manual Transmission only

Instrumentation

General Instrumentation	Digital odometer with integrated dual tripmeters
	Engine coolant temperature and fuel level gauges
	Speedometer and tachometer
Multi Information Display	Adjustable vehicle speed warning
	AEB, FCW, DWS, LDW, TMW systems activation alerts
	Hourmeter
	Low fuel and AdBlue level alerts.
	Auto windshield wiper system mode
	Vehicle systems status

Chassis

Steering

Type	Power assisted recirculating ball
Turns Lock To Lock	4.10
Lock Angle Inside	44 °
Lock Angle Outside	34 °

Suspension

Front		Single stage alloy steel taper leaf spring
		Double acting hydraulic shock absorbers. Stabiliser bar.
Rear	FSR	Type: Multi-leaf main spring, multi-leaf helper spring
		Description: Hendrickson HAS200
	FSD	Type: Airbag
		Capacity: 9,000 kg at ground

Fuel Tank

	Type: Frame mounted steel tank
Diesel Tank	Maximum capacity²: 200 L
	Fuel cap: Lockable cap
AdBlue[®] Tank	Type: Frame mounted high-density polyethylene tank
	Maximum capacity²: 28 L

Electrical Systems

Type	24 volt
Alternator	90 amp
Battery	2 x 115E41L (651 CCA) batteries connected in series
CAN Bus provision	FMS Provision

Chassis Frame

Type	Cold rivetted ladder frame
Material	HT620 steel side members
Dimensions	Side rail (mm): 70 x 234 x 7.0 Rear frame width (mm): 840

Axles

Front	Description: Isuzu F050
	Type: Reverse Elliot I-beam
	Capacity: 5,000 kg
Rear	Description: Isuzu R090
	Type: Single drive
	Capacity: 9,000 kg
	Ratio: 5.571

Wheels & Tyres

Front	Wheels: 19.5 x 6.75 eight stud ISO standard. Steel wheels.
	Tyres: 265/70R19.5 140/138M
	Steer axle tyre rating: 5,000 kg
Rear	Wheels: 19.5 x 6.75 eight stud ISO standard. Steel wheels.
	Tyres: 265/70R19.5 140/138M
	Rear axle tyre rating: 9,440 kg

Brakes

Type	Full Air dual circuit drum brakes front and rear with EBS
Diameter Front	370 mm
Diameter Rear	370 mm
Park Brake	Spring park brake acting on all rear wheels

Weights & Dimensions

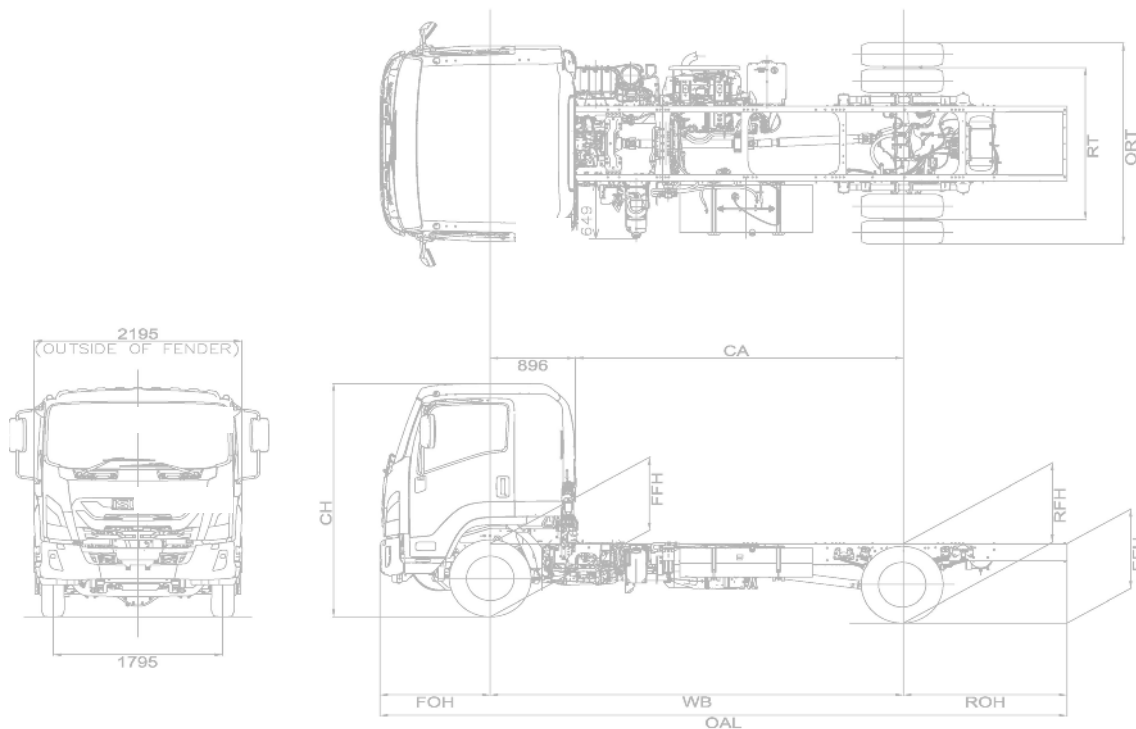
Weights (kg)

Models	Ratings ³		Loading Limit ³ (at ground)		Cab Chassis Weight ⁴			Model Code
	GVM	GCM	Front	Rear	Front	Rear	Total	
FSR 140.24 MT D53	14,000	17,500	5,000	9,000	2,600	1,545	4,145	FS2640
FSR 120.24 MT D53	12,000	15,500	5,000	9,000	2,600	1,545	4,145	FS2642*
FSR 140.24 AM D53	14,000	17,500	5,000	9,000	2,626	1,545	4,170	FS2641
FSR 120.24 AM D53	12,000	15,500	5,000	9,000	2,626	1,545	4,170	FS2643*
FSR 140.24 MT R56	14,000	17,500	5,000	9,000	2,678	1,547	4,225	FS2645
FSR 120.24 MT R56	12,000	15,500	5,000	9,000	2,678	1,547	4,225	FS2644*
FSD 140.24 MT R56	14,000	17,500	5,000	9,000	2,630	1,665	4,295	FS2647
FSD 120.24 MT R56	12,000	15,500	5,000	9,000	2,630	1,665	4,295	FS2646*
FSD 140.24 AM R56	14,000	17,500	5,000	9,000	2,650	1,670	4,320	FS2649
FSD 120.24 AM R56	12,000	15,500	5,000	9,000	2,650	1,670	4,320	FS2648*

*De-rated model code. Dealer should order original model code and request de-rate upon arrival

Dimensions (mm)

Models	WB	OAL	FOH	ROH	CA	RT	ORT	CH	FFH (Unladen)	RFH (Unladen)	EFH (Unladen)	Turning Circle Kerb to Kerb (m) ⁵
FSR 140/120.24 MT/AM D53	5,320	8,620	1,165	2,135	4,764	1,705	2,260	TBC	TBC	TBC	TBC	19.03
FSR 140/120.24 MT R56	5,560	9,150	1,165	2,425	4,664	1,670	2,260	2,602	802	885	922	19.89
FSD 140/120.24 MT/AM R56	5,560	9,150	1,165	2,425	4,664	1,670	2,225	2,602	802	858	883	19.89



Cab Chassis drawing not representative of model

Service & Support



Dealer Network

Service & Support	National Isuzu Truck Dealer Network and Accredited Service Centres
	Find a Dealer Online

Find your local dealer

Scan QR Code



Warranty#

Chassis	5 Year Warranty# 300,000 km#
Genuine Parts & Accessories	2 Year Warranty or 50,000km# (When installed by an Isuzu Trucks Approved Dealership - Including Labor)



Total 5 Year Warranty, including Base Warranty (36 months / 150,000kms) and Additional Warranty (24 months / 150,000kms), cover is 60 months or 300,000kms, whichever comes first. To qualify for Additional Warranty, all scheduled servicing during the Base and Additional Warranty periods (i.e. the total 60 months) must be performed by an authorised Isuzu service dealer from the date of delivery to the first customer. If scheduled servicing is performed by unauthorised service providers, only the Base Warranty will apply. Tipper bodies are excluded from Additional Warranty. These are covered by Base Warranty only.

² As shown on fuel tank. Volume of fuel that can be added to a near-empty tank will vary according to operating conditions.

³ Vehicle ratings and axle weight limits are subject to government regulatory requirements and weight distribution analysis. Consult your Isuzu dealer to select the correct vehicle for your specific application.

⁴ Cab chassis only as supplied and including 100% fuel, 100% AdBlue, tools, and spare wheel (if applicable).

⁵ Turning circle dimensions are based on manufacturers calculations and may vary under real-world conditions.

The information in this spec sheet was correct at time of printing, but all measurements, specifications and equipment are subject to change without notice. Some equipment may have been changed and/or is available at extra cost. Isuzu New Zealand (INZ) may make changes at any time without notice, in prices, colours, materials, equipment and models. INZ makes all reasonable attempts to ensure the availability of all vehicles and equipment. The information in this spec sheet is general in nature. Your Isuzu dealer can confirm all measurements, specifications and vehicle / equipment availability upon request. To the extent permitted by the law, INZ is not liable to any person as result of reliance on the content of this spec sheet.

[^]Advance Driver Assistance Systems are intended to support the driver but are not a replacement for safe driving practices.

*Smartphone Integration compatible with selected apps and the latest smartphone versions of iOS and Android. Active data service is required for some functionality. For USB connections, a connection cable is sold separately.

NOTE: This specsheet is PRELIMINARY ONLY. Additional specifications will be added at a later date. Existing specifications may change.

