



All images displayed in this document are for illustrative purposes only.

## Specification Guide

# FVZ 240.30

# FVY 240.30 / 180.30

### Weight Rating

**GVM** 24,000 / 18,000 kg

**GCM** 27,500 / 21,500 kg

### Engine

**Power** 221 kW @ 2,200 rpm

**Torque** 981 Nm @ 1000 - 2100 rpm

### Transmission

9 speed manual transmission (MT)

6 speed automatic transmission (AT)

### Wheelbase

4,595 mm

5,485 mm

6,655 mm

### Key Features

- ADR 80/04 (Euro VI) Compliant
- Advanced Emergency Braking (AEB)
- Full Speed Adaptive Cruise Control (FACC)\*\*
- Electronic Stability Control (ESC)
- ECE-R29 cab with side anti-intrusion beams
- Isri 6860/875 NTS2 Air Suspension Driver's Seat
- Bi-LED Headlamps with Daytime Running Lamps

\*\* Automatic transmission only

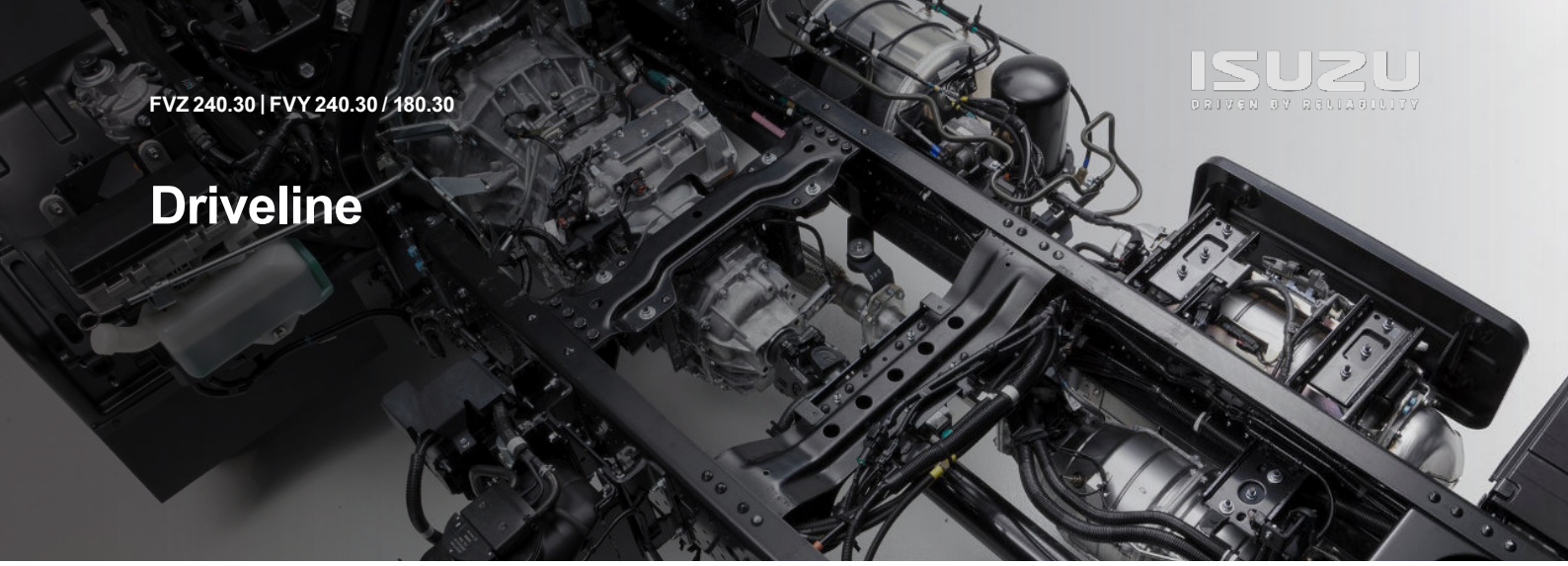


### Truck Finder

Scan to search, view and download full spec sheets for all Isuzu truck models.

**ISUZU**  
TRUCKS

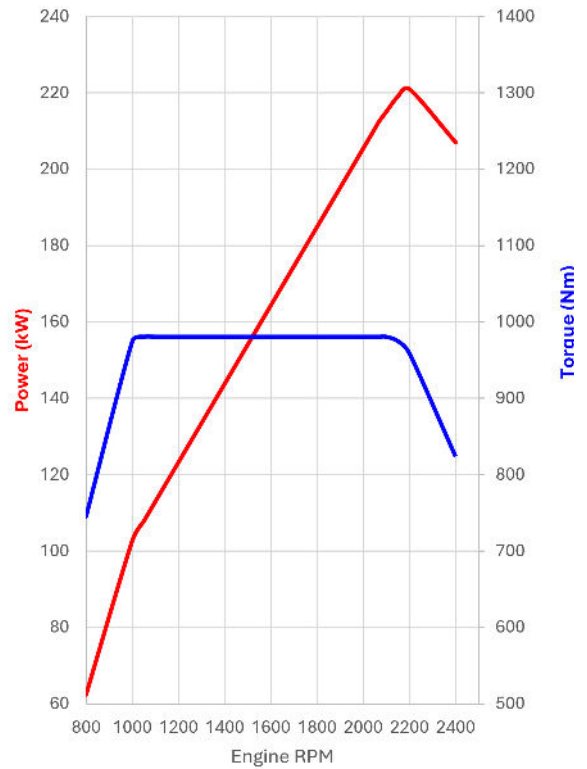
# Driveline



## Engine

<b>Description</b>	Isuzu DB6A-TCC
<b>Type</b>	6 cylinder
<b>Power</b>	221 kW (300PS) @ 2,200 rpm (DIN NET)
<b>Torque</b>	981 Nm @ 1,000 - 2,100 rpm (DIN NET)
<b>Displacement</b>	6,690 cc
<b>Bore x Stroke</b>	107 mm x 124 mm
<b>Induction</b>	Turbocharger with air-to air intercooler
<b>Fuel Injection</b>	Direct injection high pressure common rail system
<b>Emission Standard</b>	ADR 80/04 (Euro VI) compliant
<b>Emission Control</b>	SCR (Selective Catalytic Reduction) DPD (Diesel Particulate Diffuser).
<b>Auxiliary Brake</b>	Engine Compression Brake (I-Brake)

## DB6A-TCC 300PS Euro-VI



## Transmission

<b>Description:</b> ISUZU MEB-9	
<b>Type:</b> 9 speed with synchromesh on gears 1-8	
<b>Ratios:</b>	
<b>MT</b>	Crawler 1 2 3 4 5 6 7 8 REV
	10.340 7.125 5.187 3.750 2.682 1.900 1.383 1.00 0.715 9.015
<b>Power Take Off Facility:</b> Provision on LHS of transmission case. Drive from counter gear.	
<b>Description:</b> Allison 3500 GEN 6	
<b>Type:</b> 6 speed automatic	
<b>Ratios:</b>	
<b>AT</b>	1 2 3 4 5 6 REV
	4.59 2.25 1.54 1.00 0.75 0.65 5.00
<b>Power Take Off Facility:</b> LHS and top openings on transmission bellhousing. Engine driven PTO drive gear.	

## Clutch

<b>MT</b>	<b>Type:</b> Single plate
	<b>Clutch Plate Diameter:</b> 381 mm

# Technology & Equipment

## Intelligent Safety

<b>ACTIVE DRIVER ASSISTANCE SYSTEMS (ADAS)^</b>	Advanced Emergency Braking (AEB)
	Adaptive Driving Beam (ADB)
	Anti Lock Braking System (ABS)
	Anti Skid Regulator (ASR)
	Attention Alert System (AAS)
	Auto Lighting System (ALS)
	Cab Tilt Warning (CTW)
	Customisable Speed Limiter (CSL)
	Distance Warning System (DWS)
	Electronic Stability Control (ESC)
	Forward Collision Warning (FCW)
	Full Speed Adaptive Cruise Control (FACC)**
	Intelligent Speed Limiter (ISL)
	Lane Departure Warning (LDW)
Traffic Movement Warning (TMW)	
Traffic Sign Recognition (TSR)	
<b>PASSIVE SAFETY CABIN OCCUPANT SAFETY SYSTEMS (COSS)</b>	Door Mounted Cornering Lamps
	Driver and Front Left Hand Passenger Seatbelt Pretensioners
	Driver and Front Passenger Airbags
	ECE-R29 Cab with Side Anti-Intrusion Beams
	Overhead storage compartments with doors.

\*\* Automatic transmission only

## Accessories

<b>Protection</b>	Isuzu Genuine Bull Bar*	●
	Isuzu Seat Covers	●
	Isuzu Floor Mats	●
	Isuzu Dash Mats	●
	Isuzu Weathershields	●
	Isuzu Mudflaps	●
<b>Technology</b>	Isuzu Cameras	●
<b>Aerodynamics</b>	Air Deflectors	●
	Warning Triangles	●
<b>Safety</b>	Wheel Nut Indicators	●
	Signage	●

\* Expected to be available October 2025

● Fitted as Standard      ● Option to Fit

Some options are provided via 3rd party retailer. Please discuss with your local Isuzu dealer.

# Cabin Features

## General Features

<b>Engine Access</b>	Electro-hydraulic cab tilt to 45 degrees
<b>Steps</b>	Heavy duty anti slip steps
<b>Doors</b>	70° opening internally reinforced front doors
<b>Mirrors</b>	Heated & powered exterior main mirrors with flat glass and additional independantly adjustable convex "spot" mirrors
<b>Wipers</b>	Auto windshield wiper system, wet wipers
<b>Exterior Lighting</b>	BI-LED Headlamps with Adaptive Driving Beam (ADB) and Daytime Running Lamps
	Roof mounted clearance lamps
	Front LED foglamps
	LED tail lamps
<b>Audible Warning</b>	Reverse alarm
<b>Front Bumper</b>	3-piece resin, body coloured
<b>Security</b>	Passive Entry and Start System (PESS) with remote Central locking and Immobiliser

## Premium Isuzu Audio Visual Unit

<b>Connectivity</b>	Bluetooth
	USB socket
<b>Radio</b>	WiFi with over-the-air updates
	Input for up to 6 High Definition (HD) cameras (available accessory)
<b>Screen Type</b>	AM / FM
<b>Smartphone Integration*</b>	8" High Definition with capacitive touch
	Wireless Apple CarPlay®
	Wireless Android Auto™
<b>Navigation</b>	Wi-Fi connectivity
	Provided via smartphone application

CarPlay is a trademark of Apple Inc.  
Android Auto is a trademark of Google LLC.



## Cabin Interior

<b>Air Conditioning</b>	Auto control
<b>Door Windows</b>	Electric control
<b>Entry Assist Grips</b>	Door and roof pillar mounted
<b>Interior Lighting</b>	LED door open lamp. Bright LED room lamp
<b>Power Outlet</b>	24V
<b>Seatbelts</b>	3-point lap sash seatbelts in all outboard seating positions. Centre seat lap belts.
<b>Seating</b>	Isri 6860/875 NTS2 air suspension driver's seat with heating and ventilation LH passenger bucket seat, plus centre seat with folding seat back and storage compartment.
<b>Steering Column</b>	Tilt / telescopic adjustable
<b>Storage</b>	Overhead shelf, two cup holders, front door pockets

## Driver Control

<b>Engine</b>	Full speed adaptive cruise control**
	DPD manual regeneration switch
<b>General Controls</b>	Idle speed control
	Auto windshield wiper system, wet wipers, washers, engine brake and turn signals
<b>Safety Systems</b>	AEB on/off, DWS on/off/sensitivity adjust, LDW on/off/sensitivity adjust, TMW on/off, ESC&ASR on off, headlamps and ALS on/off.
	Multi Information Display controls
<b>Steering Wheel Controls</b>	Audio Visual volume control
	Audio Visual seek controls
	Phone control
	ADAS controls

\*\* Automatic transmission only

## Instrumentation

<b>General Instrumentation</b>	Digital odometer with integrated dual tripmeters
	Engine coolant temperature and fuel level gauges
	Speedometer and tachometer
<b>Multi Information Display</b>	Adjustable vehicle speed warning
	AEB, FCW, DWS, LDW, TMW systems activation alerts
	CTW indicator
	Hourmeter
	Low fuel and AdBlue level alerts.
	Auto windshield wiper system mode
	Vehicle systems status

# Chassis

## Suspension

<b>Front</b>		Single stage alloy steel taper leaf spring
		Double acting hydraulic shock absorbers. Stabiliser bar.
<b>Rear</b>	<b>FVZ</b>	Type: Multi-leaf springs with Isuzu 6 rod and trunion location system.
		Description: Hendrickson HAS460
	<b>FVY</b>	Type: Airbag Capacity: 19,000 kg

## Fuel Tank

<b>Diesel Tank</b>	Type: Frame mounted steel except FVZ R46: Frame mounted aluminium
	Maximum capacity <sup>2</sup> : 200 L with fuel cooler
	Fuel cap: Lockable cap
<b>AdBlue® Tank</b>	Type: Frame mounted high-density polyethylene tank
	Maximum capacity <sup>2</sup> : 65 L

## Electrical Systems

<b>Type</b>	24 volt
<b>Alternator</b>	90 amp
<b>Battery</b>	2 x 115E41L (651 CCA) batteries connected in series

## Chassis Frame

<b>Type</b>	Rivetless bolted ladder frame
<b>Material</b>	HT540
<b>Dimensions</b>	Side rail (mm): 90 x 305 x 8.0 Rear frame width (mm): 870

## Axles

<b>Front</b>	Description: Meritor MFS73
	Type: Reverse Elliot I-beam
	Capacity: 7,300 kg
<b>Rear</b>	Description: MT20-14X
	Type: Tandem drive
	Capacity: 19,000 kg
	Ratio: 5.857 except FVZ R46: 6.142

## Wheels & Tyres

<b>Front</b>	Wheels: 22.5 x 8.25 ten stud steel wheels
	Tyres: 275/70R22.5 148/145L
	except FVZ R46: 295/80R22.5 152/148
	Steer axle tyre rating: 7,100 kg
<b>Rear</b>	Wheels: 22.5 x 8.25 ten stud steel wheels
	Tyres: 275/70R22.5 148/145L
	except FVZ R46: 11R22.5 148/145
	Rear axle tyre rating: 23,200 kg

## Brakes

<b>Type</b>	Full air dual circuit, disc brake with EBS
<b>Diameter Front</b>	434 mm
<b>Diameter Rear</b>	434 mm
<b>Park Brake</b>	Spring park brake acting on all rear wheels

# Weights & Dimensions

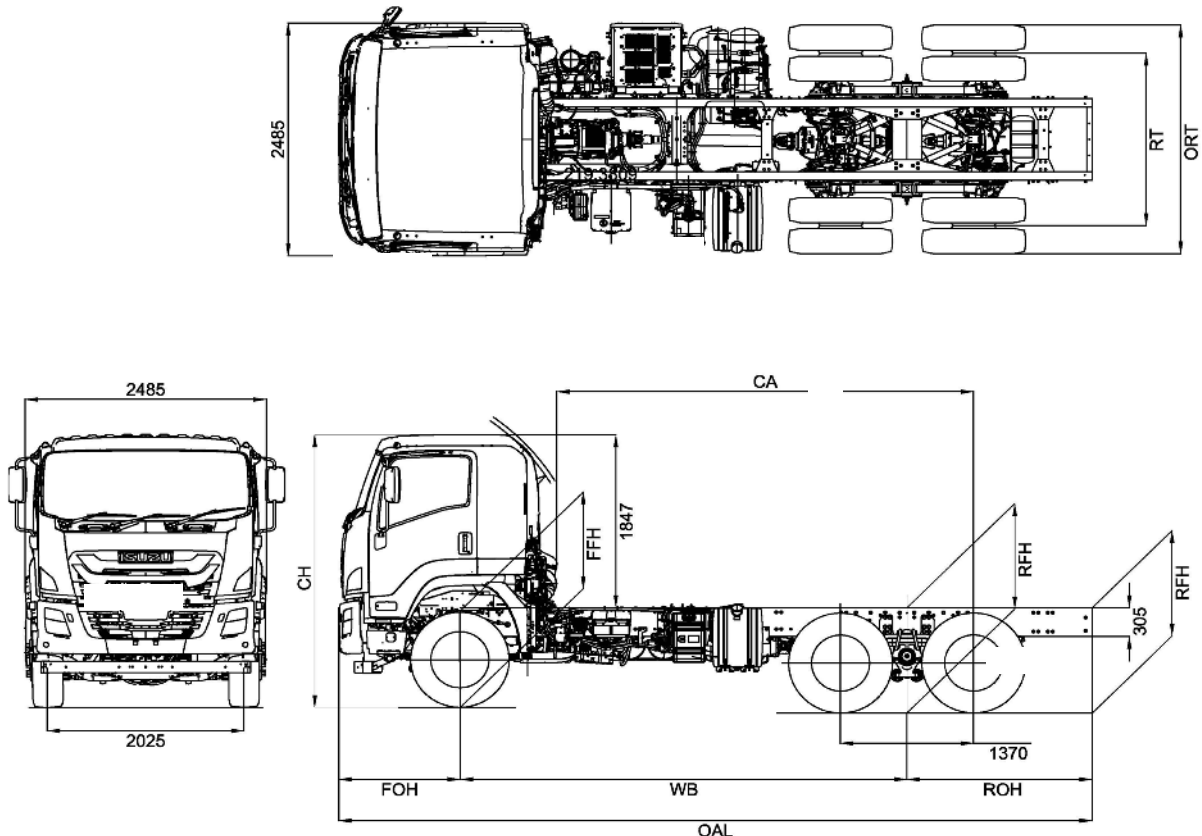
## Weights (kg)

Models	Ratings <sup>3</sup>		Loading Limit <sup>3</sup> (at ground)		Cab Chassis Weight <sup>4</sup>			Model Code
	GVM	GCM	Front	Rear	Front	Rear	Total	
<b>FVZ 240.30 MT R46</b>	24,000	27,500	7,100	18,100	TBC	TBC	TBC	FV2667
<b>FVZ 240.30 AT R46</b>	24,000	27,500	7,100	18,100	3,625	3,765	7,390	FV2668
<b>FVZ 240.30 AT R55</b>	24,000	27,500	6,300	18,100	3,740	4,070	7,810	FV2669
<b>FVY 240.30 AT R67</b>	24,000	27,500	6,300	18,100	3,940	3,895	7,835	FV2665
<b>FVY 180.30 AT R67</b>	18,000	21,500	6,300	18,100	3,940	3,895	7,835	FV2670*
<b>FVY 240.30 AT R67 AWH</b>	24,000	27,500	6,300	18,100	3,940	3,895	7,835	FV2666
<b>FVY 180.30 AT R67 AWH</b>	18,000	21,500	6,300	18,100	3,940	3,895	7,835	FV2671*

\*De-rated model code. Dealer should order original model code and request de-rate upon arrival

## Dimensions (mm)

Models	WB	OAL	FOH	ROH	CA	RT	ORT	CH	FFH (Unladen)	RFH (Unladen)	EFH (Unladen)	Turning Circle Kerb to Kerb (m) <sup>5</sup>
<b>FVZ 240.30 MT R46</b>	4,595	7,755	1,255	1,905	3,610	1,840	2,450	2,892	1,063	1,106	1,117	16.87
<b>FVZ 240.30 AT R46</b>	4,595	7,755	1,255	1,905	3,610	1,840	2,450	2,892	1,063	1,106	1,117	16.87
<b>FVZ 240.30 AT R55</b>	5,485	9,280	1,255	2,540	4,500	1,840	2,450	2,894	1,047	1,105	1,125	20.14
<b>FVY 240.30 AT R67</b>	6,655	11,755	1,255	3,845	5,670	1,840	2,450	2,892	1,045	1,038	1,035	24.44
<b>FVY 240/180.30 AT R67 AWH</b>	6,655	11,755	1,255	3,845	5,670	1,840	2,450	2,914	1,045	1,038	1,035	24.44



Cab Chassis drawing not representative of model

# Service & Support



## Dealer Network

<b>Service &amp; Support</b>	National Isuzu Truck Dealer Network and Accredited Service Centres
	<a href="#">Find a Dealer Online</a>

## Warranty#

<b>Chassis</b>	5 Year Warranty# 350,000 km#
<b>Genuine Parts &amp; Accessories</b>	2 Year Warranty or 50,000km# (When installed by an Isuzu Trucks Approved Dealership - Including Labor)

Find your local dealer  
Scan QR Code



# Total 5 Year Warranty, including Base Warranty (36 months / 200,000kms) and Additional Warranty (24 months / 150,000kms), cover is 60 months or 350,000kms, whichever comes first. To qualify for Additional Warranty, all scheduled servicing during the Base and Additional Warranty periods (ie. the total 60 months) must be performed by an authorised Isuzu service dealer from the date of delivery to the first customer. If scheduled servicing is performed by unauthorized service providers, only the Base Warranty will apply. Tipper bodies are excluded from Additional Warranty. These are covered by Base Warranty only.  
<sup>2</sup> As shown on fuel tank. Volume of fuel that can be added to a near-empty tank will vary according to operating conditions.  
<sup>3</sup> Vehicle ratings and axle weight limits are subject to government regulatory requirements and weight distribution analysis. Consult your Isuzu dealer to select the correct vehicle for your specific application.  
<sup>4</sup> Cab chassis only as supplied and including 100% fuel, 100% AdBlue, tools, and spare wheel (if applicable).  
<sup>5</sup> Turning circle dimensions are based on manufacturers calculations and may vary under real-world conditions.  
 The information in this spec sheet was correct at time of printing, but all measurements, specifications and equipment are subject to change without notice. Some equipment may have been changed and/or is available at extra cost. Isuzu New Zealand (INZ) may make changes at any time without notice, in prices, colours, materials, equipment and models. INZ makes all reasonable attempts to ensure the availability of all vehicles and equipment. The information in this spec sheet is general in nature. Your Isuzu dealer can confirm all measurements, specifications and vehicle / equipment availability upon request. To the extent permitted by the law, INZ is not liable to any person as result of reliance on the content of this spec sheet.  
<sup>^</sup>Advance Driver Assistance Systems are intended to support the driver but are not a replacement for safe driving practices.  
<sup>\*</sup>Smartphone Integration compatible with selected apps and the latest smartphone versions of iOS and Android.Active data service is required for some functionality. For USB connections, a connection cable is sold separately.

