



All images displayed in this document are for illustrative purposes only.

Specification Guide

NKR 60.15

Weight Rating

GVM	5,995 kg
GCM	8,000 kg - 9,500 kg

Engine

Power	110 kW @ 2,800 rpm
Torque	375 Nm @ 1,280 - 2,800 rpm

Transmission

6 speed manual transmission (MT)
9 speed dual clutch transmission (DT)

Wheelbase

2,490 mm
3,360 mm

Key Features

- ADR 80/04 (pPNLT) Compliant
- Advanced Emergency Braking (AEB)
- Bi-LED Headlamps with Daytime Running Lamps
- ECE-R29 cab with side anti-intrusion beams
- Electronic Stability Control (ESC)
- Lane Departure Warning (LDW)
- Full Speed Adaptive Cruise Control (FACC)**

** Dual Clutch transmission only

NOTE: This spec sheet is indicative only - certain specifications still to be confirmed.

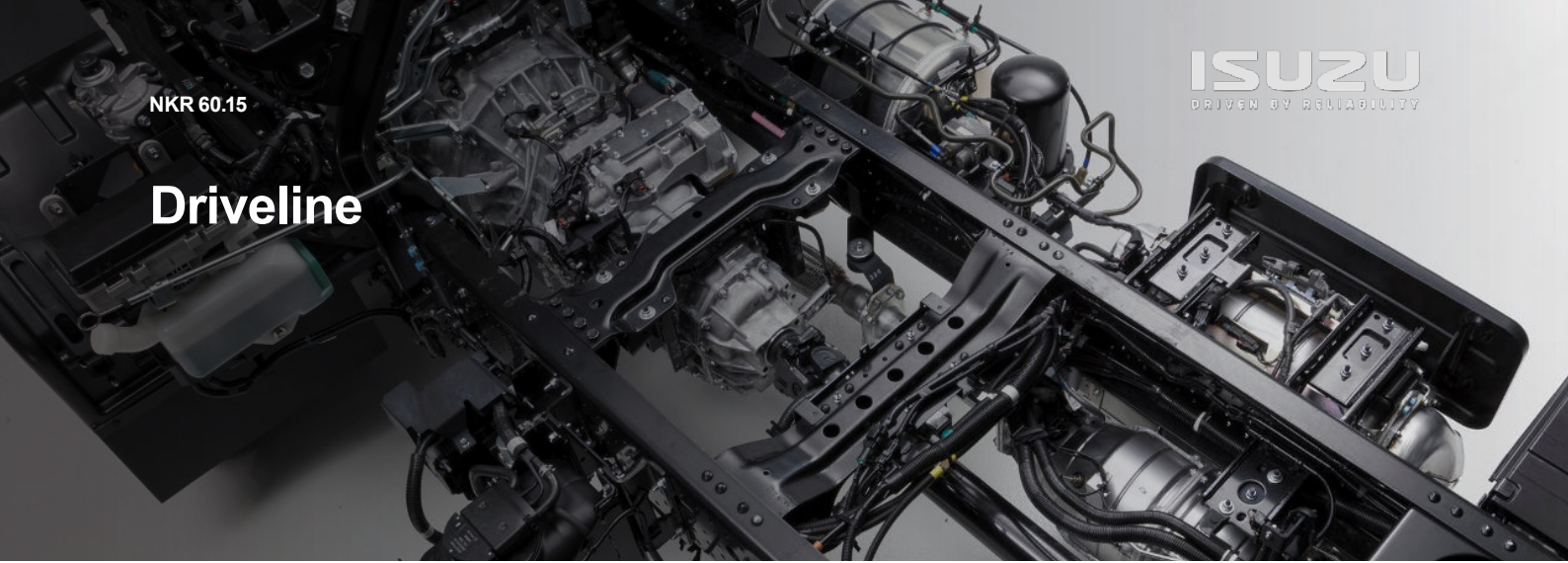


Truck Finder

Scan to search, view and download full spec sheets for all Isuzu truck models.



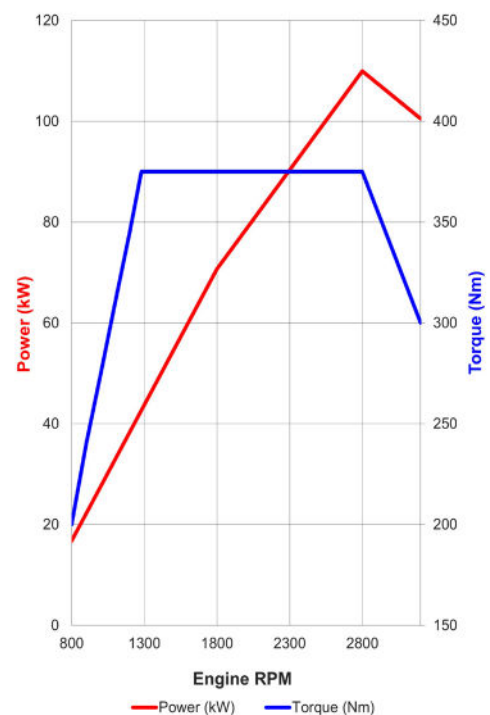
Driveline



Engine

Description	Isuzu 4JZ1-TCS
Type	4 cylinder
Power	110 kW (150PS) @ 2,800 rpm
Torque	375 Nm @ 1,280 - 2,800 rpm
Displacement	2,999 cc
Bore x Stroke	95.4 mm x 104.9 mm
Induction	Electronically controlled variable nozzle turbocharger with air-to air intercooler.
Fuel Injection	Direct injection high pressure common rail system
Emission Standard	ADR 80/04 (pPNLT) compliant
Emission Control	SCR (Selective Catalytic Reduction) DPD (Diesel Particulate Diffuser) EGR (Exhaust Gas Recirculation)
Auxiliary Brake	Vacuum controlled exhaust brake

4JZ1-TCS 150PS pPNLT



Transmission

Description: ISUZU MYY-6Z	
Type: 6 speed manual with synchromesh on gears 2 - 6	
Ratios:	
MT	1 2 3 4 5 6 REV
	5.97 3.43 2.04 1.37 1.00 0.70 5.70
Power Take Off Facility: Provision on LHS of transmission case. Drive from counter gear.	
Description: ISUZU MYR-9S	
Type: 9 speed dual clutch transmission with both fully automatic and clutchless manual operation modes	
Ratios:	
DT	1 2 3 4 5 6 7 8 9 REV
	5.16 3.94 2.86 2.18 1.67 1.30 1.00 0.76 0.58 6.61
Power Take Off Facility: Provision on LHS of transmission case. Driven from counter gear.	

Clutch

Type: Single plate with auto adjusting hydraulic control and vacuum assistance	
MT	Clutch Plate Diameter: 300 mm
	Clutch Lining Area: 847 cm ²
DT	Type: Fully automated dual wet clutch and torque converter (TC) with lock up

Technology & Equipment

Intelligent Safety

ACTIVE SAFETY	Advanced Emergency Braking (AEB)
	Anti Lock Braking System (ABS)
	Anti Skid Regulator (ASR)
	Attention Alert System (AAS)
	Auto Lighting System (ALS)
	Distance Warning System (DWS)
	Electronic Stability Control (ESC)
	Electronic Park Brake (EPB)
	Electronic Brakeforce Distribution (EBD)
	Front Cross Traffic Alert (FCTA)
	Full Speed Adaptive Cruise Control (FACC)**
	Intelligent Speed Limiter (ISL)
	Intersection Emergency Braking (IEB)
	Intersection Warning System (IWS)
	Lane Departure Warning (LDW)
	Miss Acceleration Mitigation (MAM)**
	Traffic Movement Warning (TMW)
Traffic Sign Recognition (TSR)**	
PASSIVE SAFETY	Driver and Front Left Hand Passenger Seatbelt Pretensioners
	Driver and Front Passenger Airbags
	ECE-R29 Cab with Side Anti-Intrusion Beams
	Door mounted cornering lamps

**Available with DT only

CABIN OCCUPANT SAFETY SYSTEMS (COSS)

Accessories

	Isuzu Genuine Bull Bar*	●
	Isuzu Seat Covers	●
	Isuzu Floor Mats	●
Protection	Isuzu Dash Mats	●
	Isuzu Mudflaps	●
	Isuzu Cameras	●
Technology	Air Deflectors	●
	Warning Triangles	●
Aerodynamics	Wheel Nut Indicators	●
	Signage	●

● Fitted as Standard ● Option to Fit

Some options are provided via 3rd party retailer. Please discuss with your local Isuzu dealer.

Cabin Features

General Features

Audible Warning	Reverse alarm
Engine Access	Manual cab tilt to 45° with torsion bar assistance
Steps	Heavy duty anti slip steps
Mirrors	Pillar mounted heated mirrors with electric folding (manual mirror adjustment)
Wipers	Two speed windscreen wipers with intermittent wipe mode
Exterior Lighting	BI-LED Headlamps with LED Daytime Running Lamps (DRL) LED tail lamps
Front Bumper	3-piece resin, body coloured
Security	Remote central locking and immobiliser

Premium Isuzu Audio Visual Unit

Connectivity	Bluetooth
	USB socket
	WiFi with over-the-air updates
	Input for up to 6 High Definition (HD) cameras (available accessory)
Radio	AM / FM
Screen Type	8" High Definition with capacitive touch
Smartphone Integration*	Wireless Apple CarPlay®
	Wireless Android Auto™
	Wi-Fi connectivity
Navigation	Provided via smartphone application

CarPlay is a trademark of Apple Inc.
Android Auto is a trademark of Google LLC.



Cabin Interior

Air Conditioning	Manual climate control
Door Windows	Electric control
Entry Assist Grips	Door and roof pillar mounted
Interior Lighting	LED lamp
Power Outlet	24V cigarette lighter
Seatbelts	3-point lap sash seatbelts in all outboard seating positions. Centre seat lap belts.
Seating	Driver's bucket seat
	Passenger benchseat with 2 seat capacity
Steering Column	Tilt / telescopic adjustable
Storage	Overhead cabinet, two cup holders, door pockets

Driver Control

	Full speed adaptive cruise control**
Engine	DPD manual regeneration switch
	Idle speed control
General Controls	Windscreen wipers (2 speed and intermittent modes), washers, exhaust brake, turn signals
Safety Systems	AEB on/off, DWS on/off/sensitivity adjust, LDW on/off/sensitivity adjust, TMW on/off, ESC&ASR on off, headlamps and ALS on/off.
Steering Wheel Controls	Multi Information Display controls
	Audio Visual volume control
	Audio Visual seek controls
	Phone control ADAS controls
Transmission (DT Only)	Gear selection control with P-R-N-D and sequential shift positions

**Available with DT only

Instrumentation

General Instrumentation	Digital odometer with integrated dual tripmeters
	Engine coolant temperature and fuel level gauges
	Speedometer and tachometer
Multi Information Display	Adjustable vehicle speed warning
	AEB, FCW, DWS, LDW, TMW systems activation alerts
	CTW indicator
	Hourmeter
	Vehicle systems status

Chassis

Steering

Type	Power assisted rack and pinion
Turns Lock To Lock	4.20
Lock Angle Inside	42°
Lock Angle Outside	38°

Suspension

Front	Type: Coil springs
	Other Features: Double acting hydraulic shock absorbers
Rear	Type: Taper leaf main spring, taper leaf helper spring
	Other Features: Double acting hydraulic shock absorbers

Fuel Tank

Diesel Tank	Type: Frame mounted tank
	Maximum capacity²: 70L
AdBlue® Tank	Fuel cap: Lockable cap
	Type: Frame mounted high-density polyethylene tank
	Maximum capacity²: 14 L

Electrical Systems

Type	24 volt
Alternator	90 amp
Battery	2 x 80D26L (600 CCA) batteries connected in series
CAN Bus provision	FMS Provision

Chassis Frame

Type	Cold rivetted ladder frame
Material	JSH440 steel
Dimensions	Side rail (mm): 65 x 180 x 4.0
	Rear frame width (mm): 700 (D34)
	Side rail (mm): 65 x 182.6 x 5.3
	Rear frame width (mm): 700 (D25)

Axles

Front	Description: Isuzu FI026
	Type: Independent wishbone
	Capacity: 2,600 kg
Rear	Description: Isuzu R050
	Type: Full floating banjo with four differential pinions
	Capacity: 5,000 kg
	Ratio: 4.777

Wheels & Tyres

Front	Wheels: 16 x 5.5 five stud steel wheels
	Tyres: 205/85R16 117/115R
	Steer axle tyre rating: 2,570 kg
Rear	Wheels: 16 x 5.5 five stud steel wheels
	Tyres: 205/85R16 117/115R
	Rear axle tyre rating: 4,860 kg
Spare	Wheel: 16 x 5.5 five stud steel wheel
	Tyre: 205/85R16 117/115R

Brakes

Type	Ventilated disc/disc with dual circuit hydraulic control, and integrated boost assist
Diameter Front	293 mm
Diameter Rear	293 mm
Park Brake	190mm Diameter drum mounted on rear of transmission

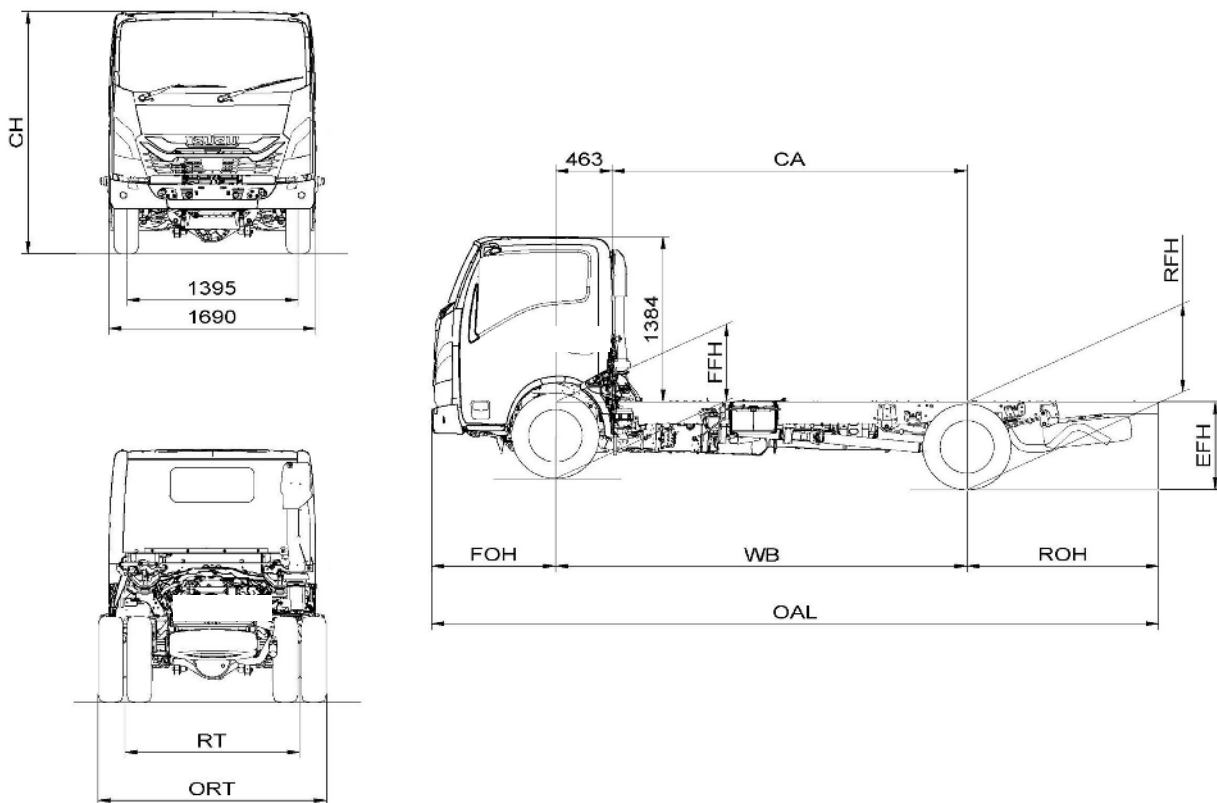
Weights & Dimensions

Weights (kg)

Models	Ratings ³		Loading Limit ³ (at ground)		Cab Chassis Weight ⁴			Model Code
	GVM	GCM	Front	Rear	Front	Rear	Total	
NKR 60.15 MT D25	5,995	9,500	2,570	4,860	1,520	674	2,194	NK2601
NKR 60.15 DT D25	5,995	8,000	2,570	4,860	1,548	686	2,234	NK2602
NKR 60.15 MT D34	5,995	9,500	2,570	4,860	1,481	736	2,217	NK2603
NKR 60.15 DT D34	5,995	8,000	2,570	4,860	1,509	748	2,257	NK2604

Dimensions (mm)

Models	WB	OAL	FOH	ROH	CA	RT	ORT	CH	FFH (Unladen)	RFH (Unladen)	EFH (Unladen)	Turning Circle Kerb to Kerb (m) ⁵
NKR 60.15 MT D25	2,490	4,650	1,015	1,145	2,027	1,425	1,865	1,999	615	719	764	8.09
NKR 60.15 DT D25	2,490	4,650	1,015	1,145	2,027	1,425	1,865	1,997	613	719	765	8.09
NKR 60.15 MT D34	3,360	5,940	1,015	1,565	2,897	1,425	1,865	2,000	616	717	761	10.92
NKR 60.15 DT D34	3,360	5,940	1,015	1,565	2,897	1,425	1,865	1,999	615	716	760	10.92



Drawing for reference only. Refer to the Isuzu Body Builder Guide for details.

Service & Support



Dealer Network

Service & Support	National Isuzu Truck Dealer Network and Accredited Service Centres
	Find a Dealer Online

Find your local dealer
Scan QR Code



Warranty#

Chassis	5 Year Warranty#
	250,000 km#
Genuine Parts & Accessories	2 Year Warranty or 50,000km#
	(When installed by an Isuzu Trucks Approved Dealership - Including Labor)

Total 5 Year Warranty, including Base Warranty (36 months / 100,000kms) and Additional Warranty (24 months / 150,000kms), cover is 60 months or 250,000kms, whichever comes first. To qualify for Additional Warranty, all scheduled servicing during the Base and Additional Warranty periods (ie. the total 60 months) must be performed by an authorised Isuzu service dealer from the date of delivery to the first customer. If scheduled servicing is performed by unauthorized service providers, only the Base Warranty will apply. Tipper bodies are excluded from Additional Warranty. These are covered by Base Warranty only.

² As shown on fuel tank. Volume of fuel that can be added to a near-empty tank will vary according to operating conditions.

³ Vehicle ratings and axle weight limits are subject to government regulatory requirements and weight distribution analysis. Consult your Isuzu dealer to select the correct vehicle for your specific application.

⁴ Cab chassis only as supplied including 90% fuel and tools/spare wheel (if applicable).

⁵ Turning circle dimensions are based on manufacturers calculations and may vary under real-world conditions.

The information in this spec sheet was correct at time of printing, but all measurements, specifications and equipment are subject to change without notice. Some equipment may have been changed and/or is available at extra cost. Isuzu New Zealand (INZ) may make changes at any time without notice, in prices, colours, materials, equipment and models. INZ makes all reasonable attempts to ensure the availability of all vehicles and equipment. The information in this spec sheet is general in nature. Your Isuzu dealer can confirm all measurements, specifications and vehicle / equipment availability upon request. To the extent permitted by the law, INZ is not liable to any person as result of reliance on the content of this spec sheet.

^Advance Driver Assistance Systems are intended to support the driver but are not a replacement for safe driving practices.

*Smartphone Integration compatible with selected apps and the latest smartphone versions of iOS and Android.Active data service is required for some functionality. For USB connections, a connection cable is sold separately.

